

Owner's/Installation Manual for:
Companion Seat™

Assistive Power Seat Base
for Ford Windstar



Note to Dealer:
Provide this manual
to the consumer.

See inside cover
for warranty and
registration information.

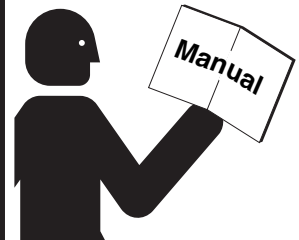


"Providing Access to the World"®

International Corporate Hdqrs: P.O. Box 310 Winamac, IN 46996 USA
1-800-THE LIFT (574) 946-6153 FAX: (574) 946-4670



! WARNING



Read manual
before operating
or installing seat.
Failure to do so
may result in
serious bodily
injury and/or
property damage.
Keep manual in
seat vehicle.

Companion Seat™
for Ford Windstar

Congratulations

We at The Braun Corporation wish to express our fullest appreciation on your new purchase. With you in mind, our skilled craftsmen have designed and assembled the finest assistive power seat base available. Your Companion Seat™ is built for dependability, and will bring you years of pleasure and independence, as long as the Companion Seat™ is installed properly and operated by an instructed person.

Sincerely,
THE BRAUN CORPORATION



Ralph W. Braun
Chief Executive Officer

Warranty and Registration Instructions

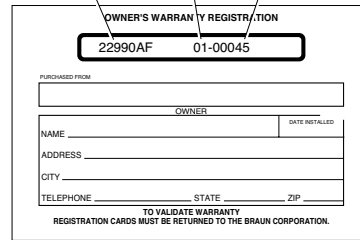
Immediately upon receiving the Companion Seat™, examine the unit for any damage. Notify the carrier at once with any claims.

Two warranty/registration cards (shown right) are located in the shipping carton (in envelope). The sales representative must process one of the cards. The consumer must fill out the other card and mail it to The Braun Corporation. The warranty is provided on the back cover of this manual. The **warranty cards must be processed to activate the warranty.**

One Braun Serial No./Series No. identification tag (sample shown below) is posted on the seat base. A second I.D. tag is posted at right.

Both I.D. tags provide the same product identification information provided on the Warranty/Registration card (shown above).

Model No. Series No. Serial No.



OWNER'S WARRANTY REGISTRATION

22990AF 01-00045

PURCHASED FROM _____

OWNER _____

NAME _____ DATE INSTALLED _____

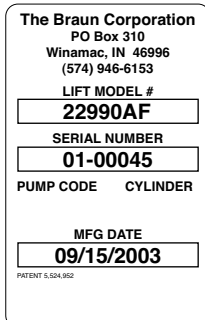
ADDRESS _____

CITY _____

TELEPHONE _____ STATE _____ ZIP _____

TO VALIDATE WARRANTY
REGISTRATION CARDS MUST BE RETURNED TO THE BRAUN CORPORATION.

Sample Warranty/Registration Card



The Braun Corporation
PO Box 310
Winamac, IN 46996
(574) 946-6153

LIFT MODEL #
22990AF

SERIAL NUMBER
01-00045

PUMP CODE CYLINDER

MFG DATE
09/15/2003

PATENT 5,524,952

Product identification information must be provided when filing a warranty claim or ordering parts.

Sample Identification Tag



Contents

| | |
|---|---------|
| Companion Seat Operation Safety | |
| Safety Symbols | 1 |
| Companion Seat Operation | |
| Safety Precautions | 2 |
| Companion Seat Pre-Operation Notes | 3-5 |
| Companion Seat Operating Instructions | 5-7 |
| Manual Operating Instructions | 8 |
| Installation | |
| Installation/Service Safety Precautions | 9 |
| Installation Parts Package 05790-000 | 10 |
| Overall Installation View | 11 |
| Installation Instructions | 12-30 |
| Safety Instructions Decals | 31 |
| Companion Seat Parts List | 32 |
| Companion Seat Exploded View | 33A-34A |
| Wiring Diagram | 33B-34B |
| Electrical Schematic | 35 |
| Dimensions and Specifications | 36 |

Companion Seat Operation Safety

Safety Symbols

SAFETY FIRST! Know That...

A All information contained in this manual is provided for your safety. Familiarity with proper operation instructions as well as proper installation and maintenance procedures are necessary to ensure safe, trouble-free operation. Safety precautions are provided to identify potentially hazardous situations and provide instruction on how to avoid them.

B

| |
|---|
| <p>⚠ WARNING</p> <p>This symbol indicates important safety information regarding a potentially hazardous situation that could result in <u>serious bodily injury and/or property damage.</u></p> |
|---|

C

| |
|--|
| <p>⚠ CAUTION</p> <p>This symbol indicates important information regarding how to avoid a hazardous situation that could result in minor personal injury or property damage.</p> |
|--|

D **Note:** Additional information provided to help clarify or detail a specific subject.

These symbols will appear throughout this manual as well as on the labels posted on your Companion Seat. **Recognize the seriousness of this information.**

Companion Seat Operation Safety

⚠️ WARNING

If the seat operating instructions, manual operating instructions and/or seat operation safety precautions are not fully understood, contact The Braun Corporation immediately. Failure to do so may result in serious bodily injury and/or property damage.

Companion Seat Operation Safety Precautions

- ⚠️ WARNING** Read manual before operating seat. Read and become familiar with all seat safety precautions, seat pre-operation notes, seat operating instructions and manual operating instructions before operating seat.
- ⚠️ WARNING** Engage vehicle parking brake before operating seat.
- ⚠️ WARNING** Engage vehicle transmission in park before operating seat.
- ⚠️ WARNING** Do not operate seat if you suspect seat damage, wear or any abnormal condition.
- ⚠️ WARNING** Keep hands, arms, fingers and all other body parts clear of moving seat parts.

- ⚠️ WARNING** Extend seat fully and recline to safe position before using seat. **Note:** Details on page 4.
- ⚠️ WARNING** Lower head to clear vehicle door header. **Note:** Details on page 5.
- ⚠️ WARNING** Rotate and lock seat in forward position before operating vehicle. **Note:** Details on page 3.
- ⚠️ WARNING** Before operating seat provide adequate clearance outside vehicle to accommodate the fully-opened door.
- ⚠️ WARNING** Open passenger door fully before operating seat.
- ⚠️ WARNING** Do not overload or abuse seat. The load rating applies to both extending and retracting functions - **continuous operating capacity is 300 lbs.**
- ⚠️ WARNING** Never modify (alter) a Braun Corporation Companion Seat.
- ⚠️ WARNING** Keep Owner's/Installation manual in Companion Seat equipped vehicle at all times.
- ⚠️ WARNING** Do not use accessory devices not authorized by The Braun Corporation.
- ⚠️ WARNING** Do not remove any guards or covers.
- ⚠️ WARNING** Accidental activation of STOW/DEPLOY switch on the control pendant may cause unintended seat operation.
- ⚠️ WARNING** Disengage vehicle passenger's seat belt before rotating seat outward and extending seat.
- ⚠️ WARNING** Position and engage vehicle passenger's seat belt as instructed in vehicle owner's manual before operating vehicle.
- ⚠️ WARNING** Lift feet when rotating seat.
- ⚠️ WARNING** Release the hand pendant toggle switch from the **DEPLOY** position once the seat is fully extended.
- ⚠️ WARNING** Release the hand pendant toggle switch from the **STOW** position once the seat is fully retracted.
- ⚠️ WARNING** Failure to follow these safety precautions may result in serious bodily injury and/or property damage.

Companion Seat Pre-Operation Notes

The Companion Seat provides aid for those who have difficulty entering or exiting Ford Windstar Minivans using the OEM (original) passenger's seat. The Companion Seat utilizes your van's original passenger seat mounted on an electric actuator powered seat base.

The seat base conveniently extends the seat automatically out of the vehicle and lowers the seat cushion to an easy load and unload position. The seat base then raises and retracts the seat and occupant automatically into the vehicle.

The seat-equipped **STOW/DEPLOY** switch controls seat extending and retracting functions. The seat passenger and/or assistant must **manually** open and close the vehicle door and **manually** rotate the seat. It is the responsibility of the passenger to

engage and disengage the vehicle-equipped passenger's seat belt **as instructed by the vehicle manufacturer.**

Always engage the vehicle parking brake and engage the vehicle transmission in "Park" **before** operating the Companion Seat. Be certain the passenger door is fully open **before** operating the seat. Visually inspect the seat **before** operation. **Do not operate the seat if you suspect damage, wear or any abnormal condition.**

Read and become familiar with all seat operation safety precautions, seat pre-operation notes, seat operating instructions and manual operating instructions **before** attempting seat operation procedures. Contact The Braun Corporation immediately if any of this information is not understood. **Call 1-800-THE LIFT.**

⚠ WARNING

Read and become familiar with all seat operation safety precautions, seat pre-operation notes, seat operating instructions and manual operating instructions before attempting seat operation procedures. Contact The Braun Corporation immediately if any of this information is not understood. Failure to do so may result in serious bodily injury and/or property damage.

Seat Rotation

A yellow-handled lever is located on the driver's side of the Companion Seat base. Simply lift the lever to disengage the seat from the locked (engaged) position and manually rotate the seat. The spring-loaded seat rotation lever engages (locks) when the seat is rotated fully outward (seat faces doorway) or rotated fully inward (seat faces forward).

Rotate and lock seat in forward position before operating vehicle. Push the yellow-handled lever down to ensure the lever is engaged (seat

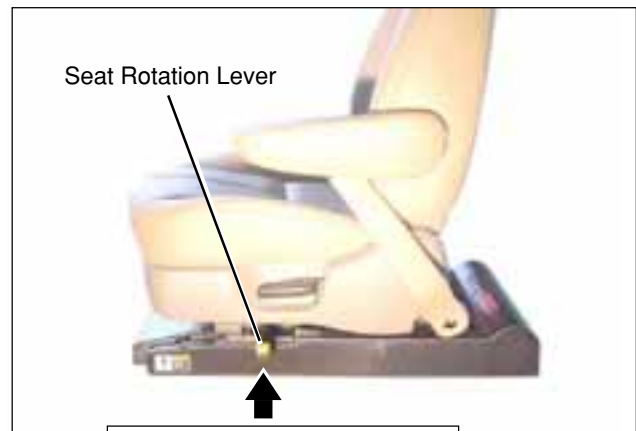
is locked). Always test the seat to be certain the seat rotation lever is in the engaged position.

Note: The passenger must lift and rotate his or her feet when rotating the seat.

Note: The seat **must** be manually rotated fully outward to the locked position before the **STOW/DEPLOY** control switch can be activated.

⚠ WARNING

Rotate and lock seat in forward position before operating vehicle. Failure to do so may result in serious bodily injury and/or property damage.



Lift lever to disengage seat from the locked (engaged) position.

Companion Seat Pre-Operation Notes

STOW/DEPLOY Control Switch

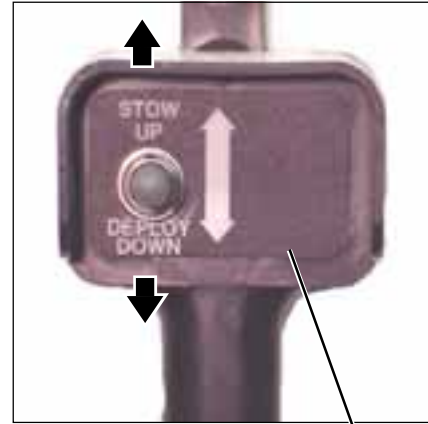
A single hand pendant style STOW/DEPLOY switch controls the seat base extending and retracting functions. Press the switch to DEPLOY DOWN to extend the seat base. Press the switch to STOW UP to retract the seat.

⚠ WARNING

Keep hands, arms, fingers and all other body parts clear of moving seat parts. Failure to do so may result in serious bodily injury and/or property damage.

Note: The seat must be manually rotated fully outward to the locked position before the switch becomes active. If the switch is nonfunctional, the seat has not been rotated fully outward to the locked position. Release the STOW/DEPLOY switch when the seat is fully extended or fully retracted.

Keep your hands, arms, fingers, all other body parts and any foreign objects clear of moving seat parts and vehicle parts when the seat is being extended or retracted. The seat will continue to move as long as the STOW/DEPLOY switch is activated. Explain to children and other vehicle passengers that this potential hazard exists and the



Hand Pendant Switch

seat should only be operated by the Companion Seat occupant or the occupant's attendant.

Seat Recliner

Due to the variety of physical capabilities among passengers using the Companion Seat, it is extremely important for the seat back to be reclined to a safe position. **Extend the seat fully and recline the seat back to a safe position for the intended passenger before the passenger uses the seat.**

When the Companion Seat is extended fully, individuals with limited upper body strength could possibly fall out of the seat if the seat back is angled forward too much. A passenger with limited upper body strength may not be able to prevent his or her torso from going over the center of gravity as the seat base extends fully. Have an assistant on hand to adjust the seat back according to your physical limitations. The passenger should load onto the seat and operate the seat through all functions **with**



Seat Recliner Handle

an assistant on hand to determine a safe seat back recliner position and to ensure that the seat occupant operates the seat safely through all functions. **Establish the seat back recliner position with the seat fully extended.**

Recliner Adjustment: A seat recliner handle (control lever) is located on the side of the seat to operate the seat recliner. Lean forward slightly before lifting the handle, then lean back to the desired position and release the handle. Releasing the handle engages (locks) the seat back in the desired position.



⚠ WARNING

Extend seat fully and recline to safe position before using seat.

21418
Patent Pending

Companion Seat Pre-Operation Notes

Door Clearance

The seat passenger **must lower his or her head when retracting and extending the seat** to clear the vehicle door header.

Failure of the seat passenger to lower his or her head during the extending cycle could result in the passenger's head being trapped between the door header and the seat as well as simply contacting (bumping) the door header with his or her head.

Failure of the seat passenger to lower his or her head during the retracting cycle could result in the passenger's head contacting (bumping) the door header or the passenger possibly being knocked out of the seat.



Note: It is not necessary for passengers whose head clears the door header when sitting straight up to lower their head during the extending and retracting cycles.

Companion Seat Operating Instructions

⚠ WARNING

Read and become familiar with all seat operation safety precautions, seat pre-operation notes, seat operating instructions and manual operating instructions before attempting seat operation procedures. Contact The Braun Corporation immediately if any of this information is not understood. Failure to do so may result in serious bodily injury and/or property damage.

⚠ WARNING

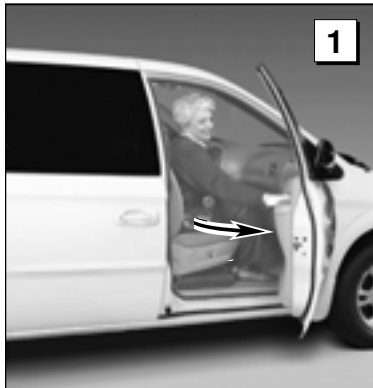
- Keep hands, arms, fingers and all other body parts clear of moving seat parts.
 - Extend seat fully and recline to safe position before using seat.
 - Lower head to clear vehicle door header.
 - Rotate and lock seat in forward position before operating vehicle.
- Failure to follow these rules may result in serious bodily injury and/or property damage.

Notes:

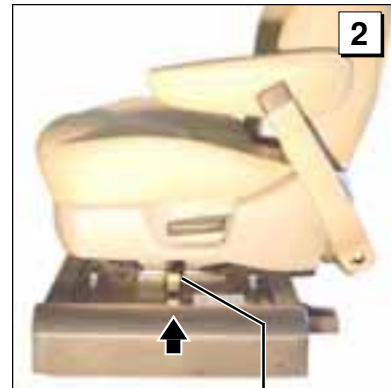
- Read and become familiar with all Seat Operation Safety Precautions and Seat Pre-Operation Notes **before** attempting seat operation. Contact the Braun Corporation immediately if not understood. Call 1-800-THE LIFT.
- Vehicle posted warnings and seat operating instructions decal 22616 provides seat operating instruction. **Replace any missing, worn or illegible decals.**
- Follow the Manual Operation Instructions provided on page 8 in the event of power or equipment failure.

Companion Seat Operating Instructions

To Extend Seat:



1 Open door **fully**.

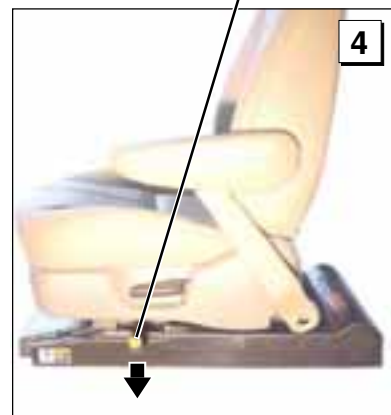


2 Lift yellow-handled lever.

Yellow-handled Lever



3 Manually rotate seat **fully outward until seat locks**.

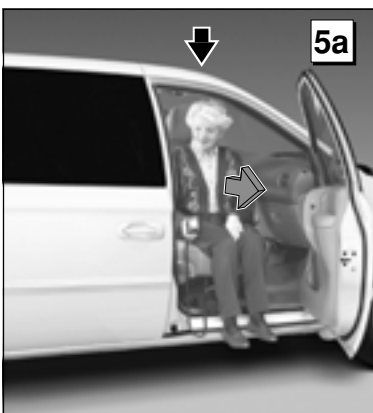


4 Push the yellow-handled lever down to **ensure** the lever is engaged (**seat is locked**).

5 **Lower head** and press switch to **DEPLOY DOWN** until the seat stops (Photos 5a-5c).



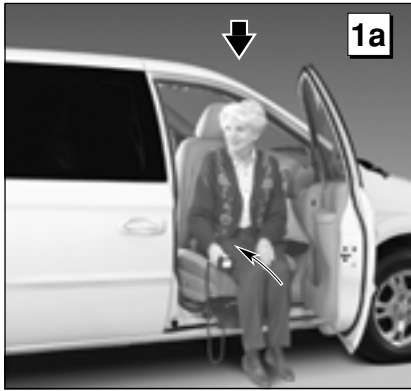
Lower Head



Companion Seat Operating Instructions

To Retract Seat

Lower Head

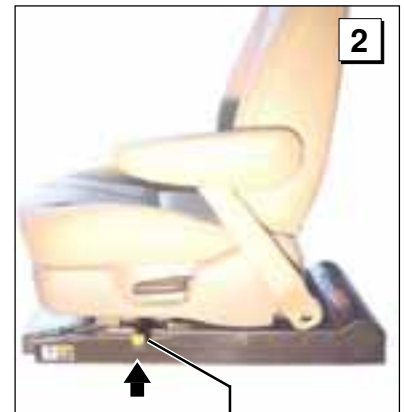


1 Lower head and press switch to **STOW UP** until the seat stops (see Photos 1a-1d).

2 Lift yellow-handled lever.

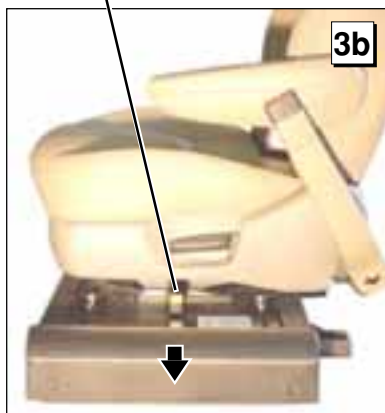
3 Manually rotate seat **fully inward until seat locks** (Photo 3a). Push the yellow-handled lever down to ensure the lever is engaged (**seat is locked**) (Photo 3b).

4 Close door (Photo 4).



Yellow-handled Lever

Yellow-handled Lever



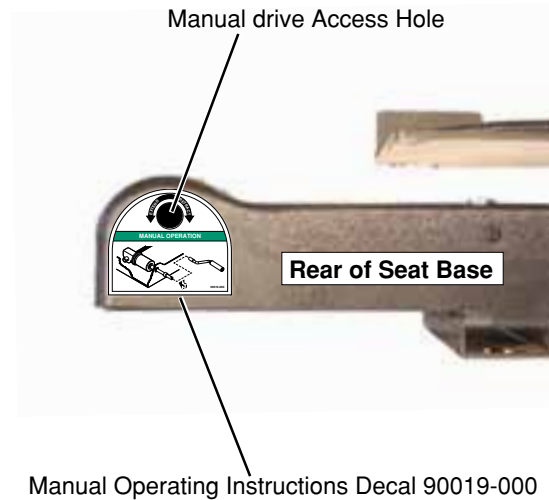
Manual Operating Instructions

An electric actuator powers the Companion Seat base to extend and retract the seat. If you experience power or equipment failure, follow the Manual Operating Instructions provided below to manually extend and retract the Companion Seat.

A slotted shaft (stud) is located at the motor end of the electric actuator. An access hole is located at the rear of the Companion Seat base to allow one of two provided manual actuation devices to be inserted and manually drive the actuator. Turning the actuator motor shaft with the provided hand crank or the drill adaptor extends and retracts the seat. Turn the stud counterclockwise to extend the seat. Turn the stud clockwise to retract the seat. Further details are provided below and on the decal affixed to Companion Seat (see picture and graphic on this page).

Note: Manual operation procedures **cannot be accomplished rapidly**. If you experience power or equipment failure, load and unload the passenger **without** manually extending or retracting the seat. **Manual operation procedures are not intended to be used to load and unload passengers**. This procedure is available to retract the seat fully, in order to allow the vehicle door to be closed.

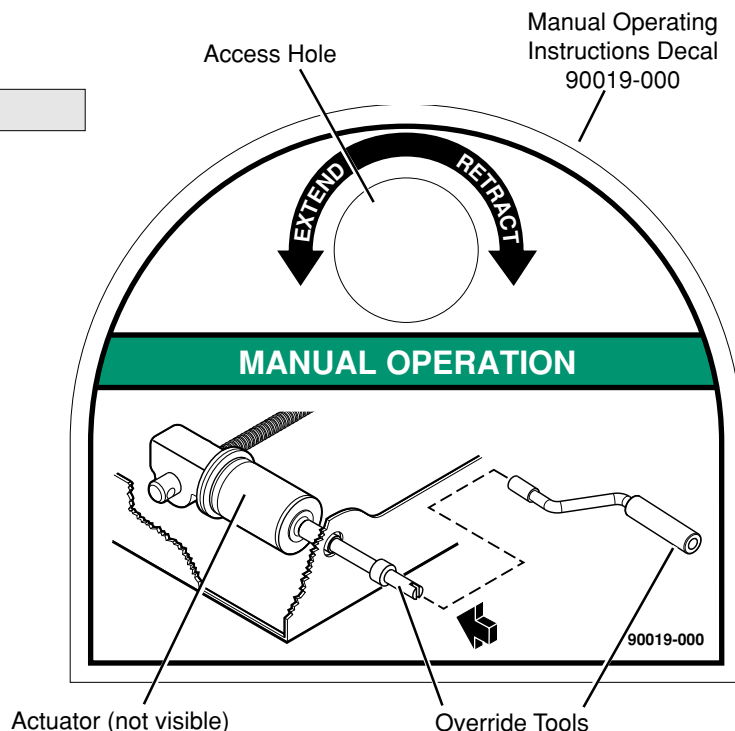
If a problem occurs with your Companion Seat, contact your Braun dealer or call the Braun Corporation at **1-800-THE LIFT**. One of our national Product Support Representatives will direct you to an authorized service technician.



Manual Operation decal 90019-000 depicts the hand crank and the drill adaptor being used to manually extend and retract the seat base. The hand crank and drill adaptor are both shown in order to depict both manual operation procedures. A drill can be fitted with the provided drill adaptor and used for manual operation (drilling device must have a 3/8" chuck). These options will allow you to perform manual extending and retracting procedures at a substantially higher rate of speed. Carry the manual operation tools in your Companion Seat-equipped vehicle at all times.

Manual Operating Instructions

- 1** Use a provided manual override tool (hand crank or drill adaptor).
- 2** Insert the tool through the access hole.
- 3** Turn slotted stud counterclockwise to extend the seat.
- 4** Turn slotted stud clockwise to retract the seat.



Installation/Service Safety Precautions

⚠WARNING

If installation procedures cannot be completed exactly as provided in this manual or if the instructions are not fully understood, contact The Braun Corporation immediately. Failure to do so may result in serious bodily injury and/or property damage.

⚠WARNING Read this manual and become familiar with all safety precautions, seat pre-operation notes, seat operating instructions, and installation instructions before performing installation procedures.

⚠WARNING Remove any obstructions within the seat mounting/operating area prior to beginning installation procedures.

⚠WARNING A minimum of two people are required to place the seat in the vehicle if a hoist is not available.

⚠WARNING Route all cables clear of exhaust system, other hot areas, moving parts, wet areas, etc.

⚠WARNING Coil and secure excess power cable under Companion Seat, under carpet, inside wall panel or other protected area - clear of hot areas, moving parts or other potential hazards.

⚠WARNING Risk of electrical shock or fire! Use extra care when making electrical connections. Connect and secure as outlined in Installation Instructions and Wiring Diagrams.

⚠WARNING Maintenance and repairs must be performed only by authorized service personnel.

⚠WARNING Never modify (alter) a Braun Corporation Companion Seat.

⚠WARNING Replacement parts must be direct Braun replacements.

⚠WARNING Disconnect the power cable at the battery prior to servicing.

⚠WARNING Never install screws or fasteners (other than factory installed).

⚠WARNING The Companion Seat Owner's / Installation manual must be in the Companion Seat equipped vehicle when the consumer receives the Companion Seat.

⚠WARNING Failure to follow these safety precautions may result in serious bodily injury and/or property damage.

Installation Instructions

Installation Parts Package 05790-000

Please check the Installation Parts List to see that you have everything needed to begin. Report any missing items.

Installation Parts Package 05790-000 includes all items listed below (items 1-30). Identification tag (item 28) is affixed to the inside front cover of this manual.

| Item | Qty. | Description | Part No. |
|------|------|---|-----------|
| 1 | 1 | Wire Assembly, BK/WH - 20", Butt/Butt | 26318A |
| 2 | 1 | Wire Assembly, BK - 20", Butt/Butt, 14 Ga. | 26319A |
| 3 | 1 | Wire Assembly, OR - 20", Butt/Butt | 27393A |
| 4 | 1 | Wire Assembly, BU/OR - 20", Butt/Butt | 27394A |
| 5 | 1 | Wire Assembly, GN/BK - 20", Butt/Butt | 27395A |
| 6 | 1 | Wire Assembly, BK - 20", Butt/Butt, 18 Ga. | 27396A |
| 7 | 1 | Wire Assembly, LT BU/PK - 20", Butt/Butt | 27397A |
| 8 | 1 | Wire Assembly, WHITE - 20", Butt/Butt | 27398A |
| 9 | 1 | Wire Assembly, BN/WH - 20", Butt/Butt | 27399A |
| 10 | 1 | Loom, 3/4" I.D. Flex Guard | 16233R |
| 11 | 3 | Clip, 3/8" Plastic, Cable | 11092 |
| 12 | 1 | Clip, 3/4" Plastic, Cable | 18562 |
| 13 | 5 | Tie, Cable 8" Black | 91061-000 |
| 14 | 1 | Assembly, Override Hand Crank | 05882-000 |
| 15 | 1 | Adaptor, Override Drill | 05799-000 |
| 16 | 2 | Plate, Below-Floor Reinforcement | 21390 |
| 17 | 2 | Washer, 7/16" SAE Flat | 82046-000 |
| 18 | 3 | Washer, 7/16" Lock | 13843 |
| 19 | 1 | Washer, #10 Flat, Auto Black | 11541 |
| 20 | 3 | Nut, 7/16 - 20 Hex | 10457 |
| 21 | 1 | Bolt, 7/16 - UNF x 1-1/4" HHCS | 80042-000 |
| 22 | 3 | Screw, #8 - 18 x 1" Hex, Self Tapping | 10084 |
| 23 | 1 | Rivet, Pop 3/16 - 0.13/0.25", Auto Black | 11513 |
| 24 | 1 | Cover, Center Console Mounting Bracket | 29936 |
| 25 | 1 | Decal, Warning, Lower Head | 21419 |
| 26 | 1 | Decal, Warning, Extend and Recline Seat | 21418 |
| 27 | 1 | Decal, Warnings/Seat Operating Instructions | 22616 |
| 28 | 1 | Tag, Serial No. / Series No. - Plastic | 18548P |
| 29 | 1 | Card, Business Reply - Warranty | 11673 |
| 30 | 1 | Manual, Ford Windstar Companion Seat | 23560F |

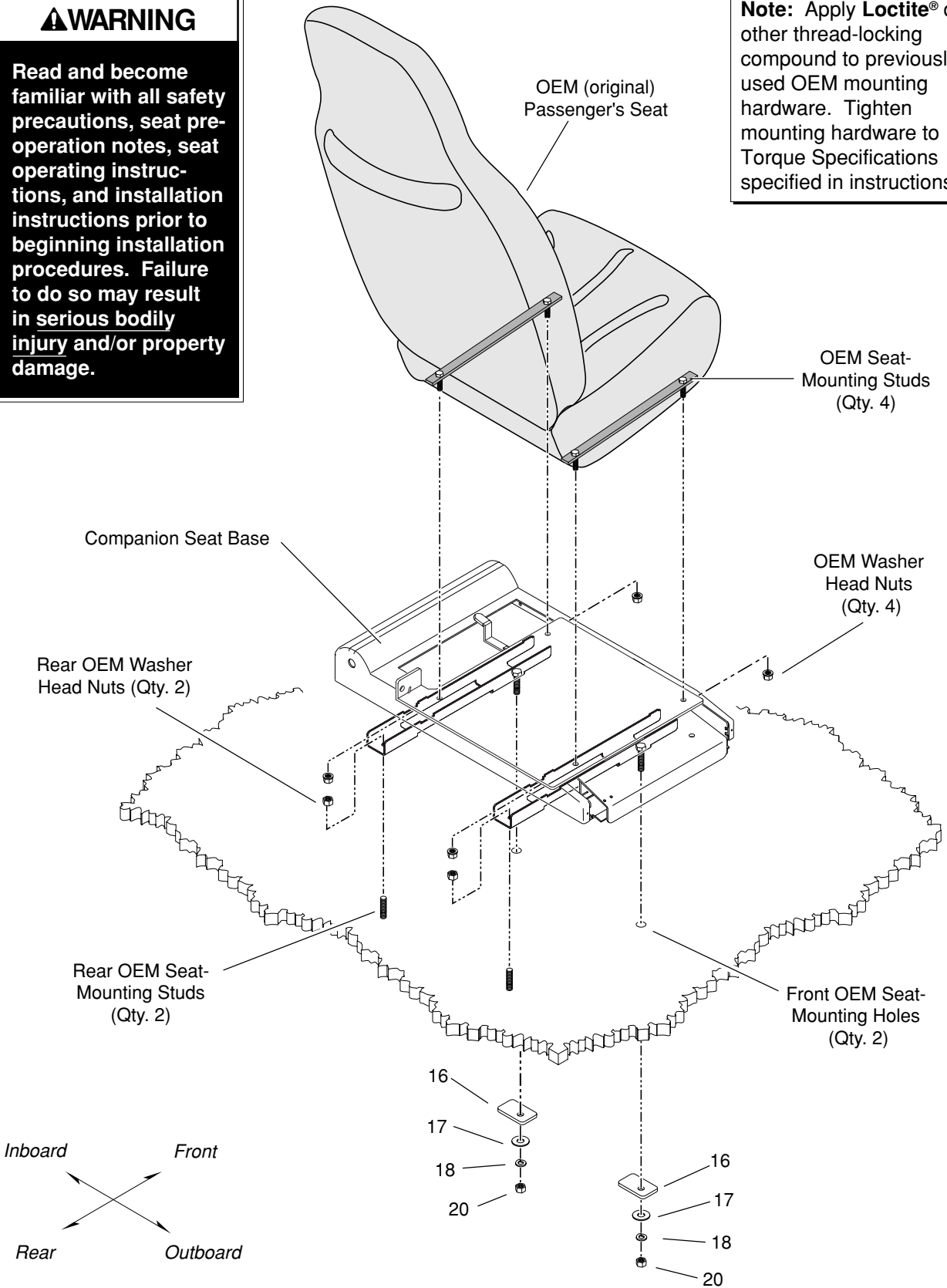
Installation Instructions

Overall Installation View

⚠ WARNING

Read and become familiar with all safety precautions, seat pre-operation notes, seat operating instructions, and installation instructions prior to beginning installation procedures. Failure to do so may result in serious bodily injury and/or property damage.

Note: Apply Loctite® or other thread-locking compound to previously-used OEM mounting hardware. Tighten mounting hardware to Torque Specifications specified in instructions.



Installation Instructions

Pre-Installation notes, precautions and Instructions

Windstar front passenger power seats must be retrofitted with manual slide tracks prior to installation of the Braun Companion Seat. Several Ford parts must be ordered to complete the conversion (see list below).

| Ford Parts List | | |
|-----------------|----------------------------|---------------|
| Item | Description | Ford Part No. |
| 1 | Passenger Side Slide Track | 61705 |
| 2 | Driver Side Slide Track | 61704 |
| 3 | Passenger Side Seat Guard | 62186 |
| 4 | Driver Side Seat Guard | 62187 |

The Ford part numbers are base numbers. Use your vehicle's VIN and the base numbers to order the correct parts from Ford.

Note: If the vehicle is equipped with a center console between the driver and passenger seat it must be removed to allow room for the Companion Seat base. The console and all features contained within the console will be removed and not utilized at this location (example - VCR, entertainment system or storage compartment).

1 Disable Vehicle SRS (Supplemental Restraint System)

⚠ WARNING

To avoid accidental deployment and possible personal injury, the backup power supply must be depleted before repairing or replacing any front or side air bag supplemental restraint system (SRS) components and before servicing, replacing, adjusting or striking components near the front or side air bag sensors, such as doors, instrument panel, console door latches, strikers, seats and hood latched.

Note: The passenger seat side air bag sensors are located at the base of the B-pillar.

Before beginning installation procedures, review the following precautions and recommendations from Ford Motor Company regarding a front passenger seat equipped with a side air bag.

The Ford Windstar can have a passenger seat equipped with or without a side air bag deployment unit. When installing the Companion Seat in a vehicle with a passenger seat side air bag, follow the procedures in the Ford Windstar Service Manual to disable the SRS. An abbreviated list of these Ford procedures is listed below. Reference the Ford Windstar Service Manual for a detailed listing of precautions and procedures for the deactivation and reactivation of the SRS.

When the OEM seat assembly is removed from the OEM seat base, the following steps **must** be taken to assure the OEM SRS is fully re-stored and operational as designed, tested and manufactured.

To deplete the backup power supply energy, disconnect the battery ground cable and wait at least one minute. Be sure to disconnect auxiliary batteries and power supplies (if equipped).

After the backup power supply has been depleted, continue with the installation of the Companion Seat.

⚠ WARNING

Never probe connectors on the air bag module. Doing so can result in air bag deployment, which can result in personal injury.

⚠ WARNING

Do not disconnect the wire connector at the side air bag module. This is a permanent connection. Doing so may result in accidental air bag deployment, which may result in person injury.

Installation Instructions

2 Remove Passenger's Seat and Pedestal

Two floor mounted studs secure the rear of the passenger seat and pedestal. Remove the stud caps to access the washer head hex nuts (the caps snap off). Use a 18MM wrench to remove the washer head hex nuts securing the rear of the passenger seat. Keep the OEM nuts.



OEM Washer
Head Nuts (2)

Stud Caps (2)

OEM Washer
Head Bolts (2)

Two washer head bolts secure the front of the passenger seat and pedestal. Use a 13MM wrench to remove the washer head bolts securing the front of the passenger seat. Keep the OEM bolts.

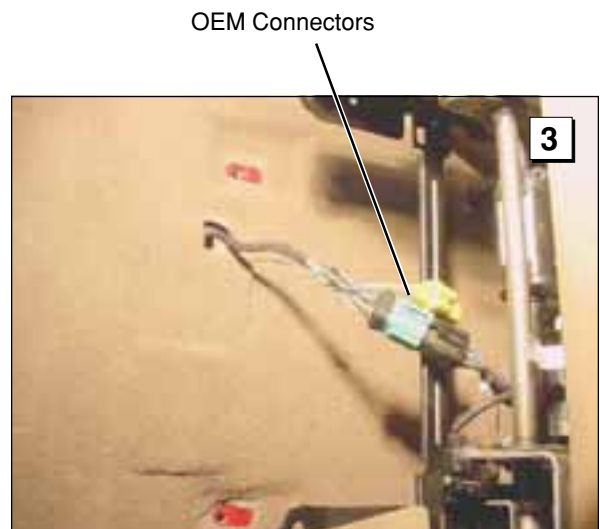
Note: Do not remove passenger seat until OEM connectors have been disconnected.



Front of Passenger Seat

3 Disconnect OEM Connectors

Carefully tip the passenger seat and pedestal toward the rear of the vehicle to expose the OEM connectors. Disconnect the yellow and the green connectors. Remove the seat / pedestal assembly from the vehicle.

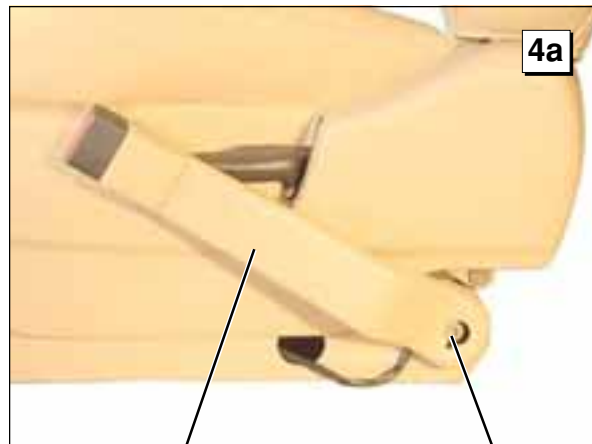


OEM Connectors

Installation Instructions

4 Remove OEM Seat Belt Receptacle

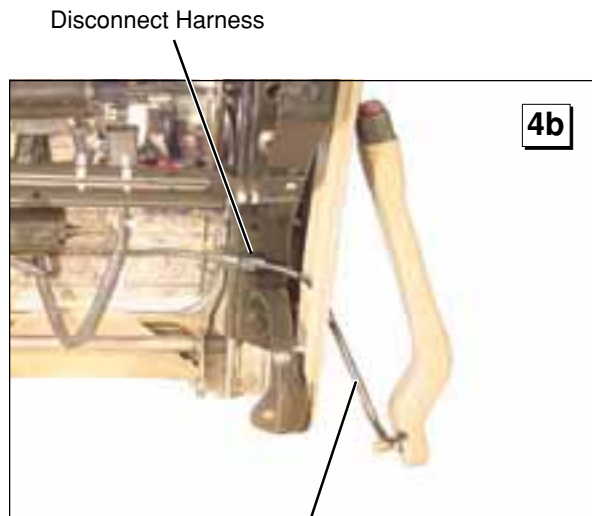
Remove the OEM seat belt receptacle from the seat pedestal. Carefully remove the plastic plug covering the belt receptacle mounting bolt (turn the plug counterclockwise to remove plug). Keep the plug. Remove the belt receptacle mounting bolt using a T50 Torx wrench.



Seat Belt Receptacle

Torx Mounting Bolt
(plug removed)

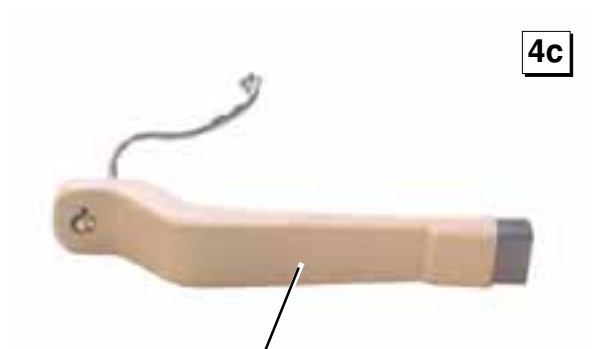
Carefully disconnect the seat belt indicator harness connecting the receptacle assembly to the seat assembly.



Disconnect Harness

Seat Belt Indicator Harness

Carefully remove the seat belt receptacle assembly from the seat assembly. Keep seat belt receptacle.



Seat Belt Receptacle Assembly

Installation Instructions

5 Remove Power Seat Plastic Trim Guards

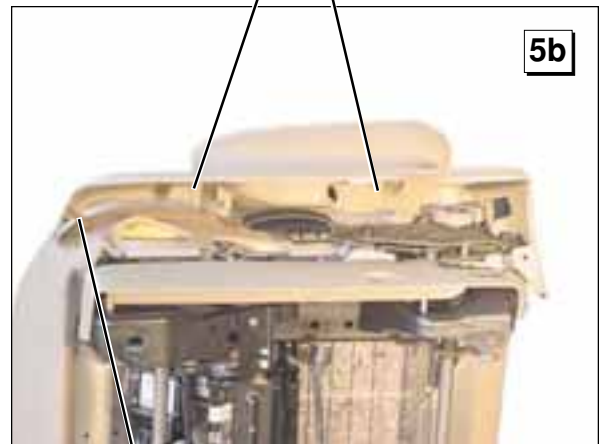
Remove the two plastic guards from the sides of the seat. Use a T30 Torx wrench to remove the screws securing each panel to the bottom rear of the seat.



Torx Seat Guard Mounting Screws

Snap (clip) type fasteners secure the guards to the side and front of the seat. Threaded insert type fasteners secure the guards to the front corners of the seat. **Carefully** remove the plastic guards (see Photos 5b and 5c).

Snap (clip) type fasteners



Threaded Insert Fastener

Note: Disconnect power seat control wiring harness from the switch assembly on the passenger side guard of the seat.

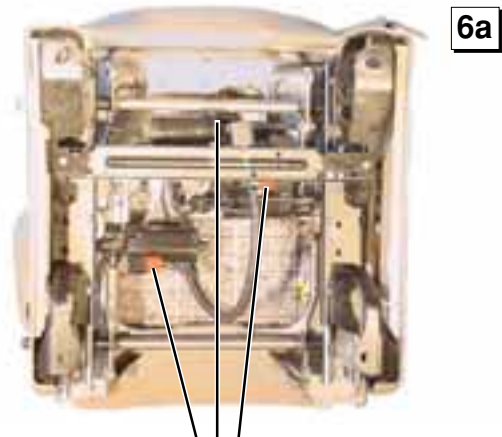
Power Seat Control Switch



Installation Instructions

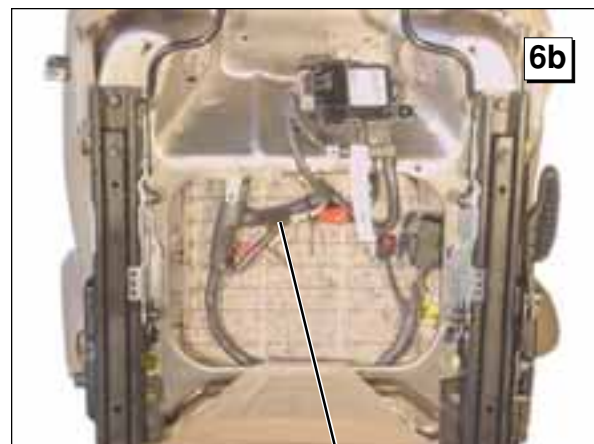
6 Disconnect Power Seat Motors

Disconnect the power harness to each of the three power seat motors mounted on the seat pedestal. The harnesses have red connector plugs.



Disconnect three Motor Harness

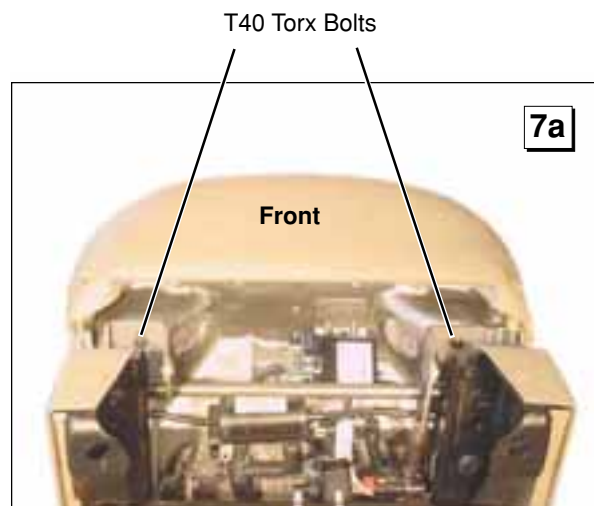
Cable tie the motor harness together and to the bottom of the seat as shown.



Power Seat Motor Harness
Cable Tied to Seat Bottom

7 Remove OEM Seat Pedestal

Remove the two front pedestal mounting bolts using a T40 Torx wrench. Keep the hardware.

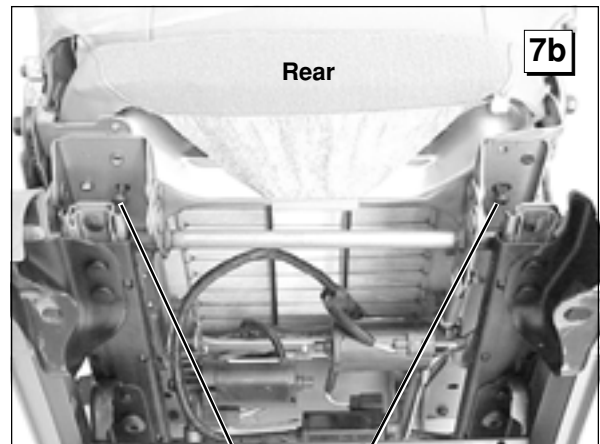


T40 Torx Bolts

Front

Installation Instructions

Remove the two rear pedestal mounting bolts using a T40 Torx wrench. Keep the hardware.

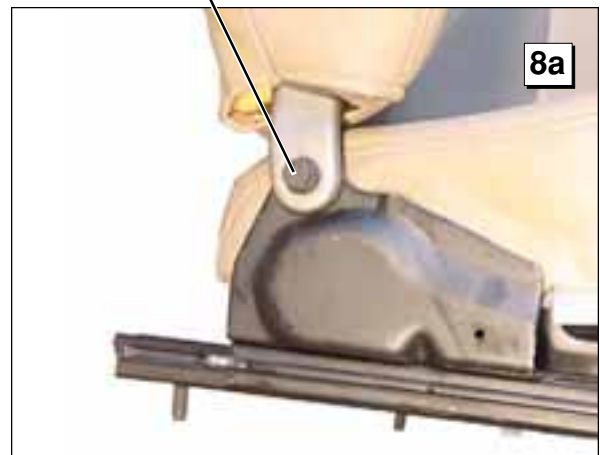


T40 Torx Bolts

OEM Seat Back
Securement Bolt

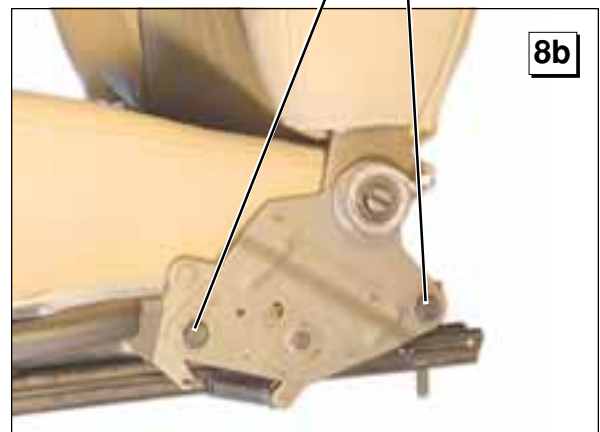
8 Remove the Bolts securing Power Base to the Seat Back

The power seat base is bolted to the seat back. Remove OEM seat back mounting bolt using a 15MM wrench. The passenger side of the seat assembly is shown in Photo 8a. Keep the hardware.



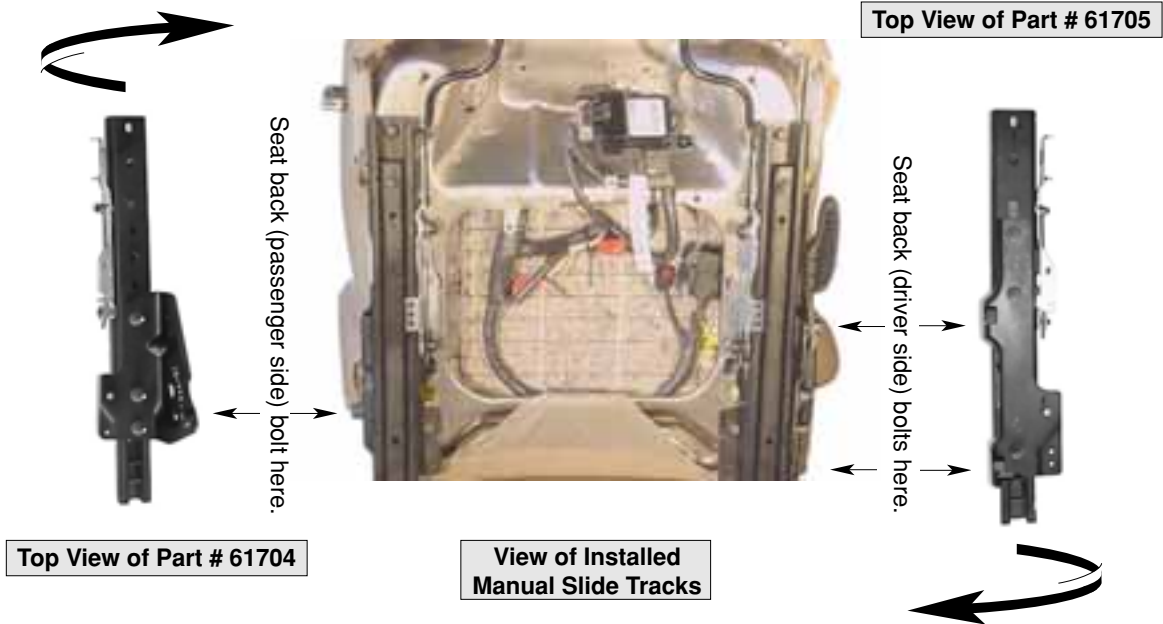
OEM Seat Back
Securement Bolts

Remove OEM seat back mounting bolts using a 15MM wrench. The drivers side of the seat assembly is shown in Photo 8b. Keep all hardware.



Installation Instructions

9 Mount the Manual Slide Tracks



Mount the manual slide tracks to the seat bottom using a T40 wrench to secure the OEM bolts that previously secured the power slide assembly to the seat bottom.

Note: To access the mounting holes, slide the lower track of the manual slide assemblies.

Apply **Loctite®** or other thread locking compound to the mounting bolts. **Tighten se-**

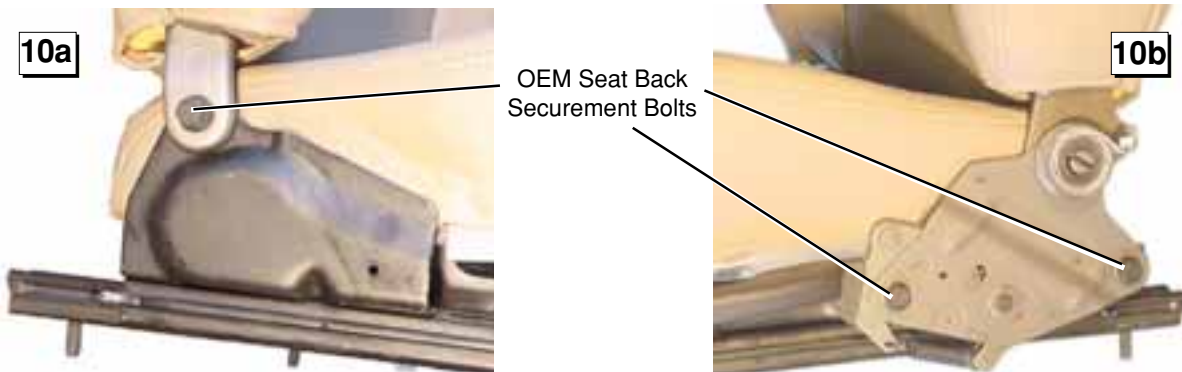
curely. Torque Specifications: 17 foot pounds.

Note: Be sure to set the slide position on the manual slide tracks before mounting the seat assembly to the Companion Seat base. The “front-to-back” position of the seat is not adjustable after the seat assembly has been mounted.

10 Secure Manual Slide Seat assembly to Seat Back

Secure the seat back to the manual slide tracks using a 15MM wrench on the OEM bolts retained from Step 8. There is one bolt on the passenger side and two bolts securing the drivers side of the seat back. Apply

Loctite® or other thread locking compound to the mounting bolts. **Tighten securely. Torque Specifications:** 30 foot pounds (passenger), 33 foot pounds (driver).



Installation Instructions

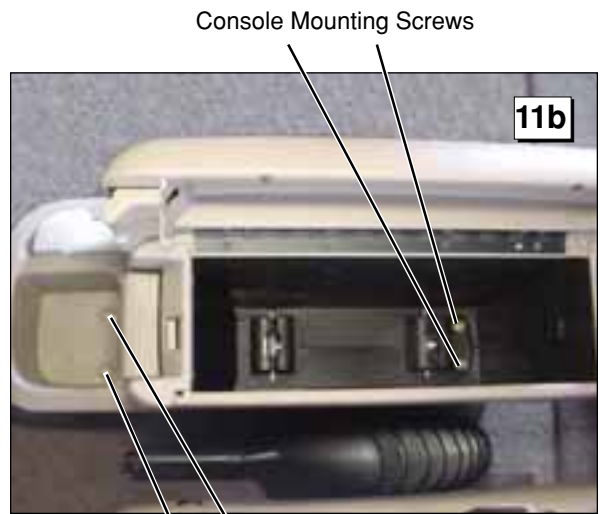
11 Remove Center Console (if equipped)

If the vehicle is equipped with a center console it must be removed to allow space for the Companion Seat. If the vehicle does not have a center console, omit Step 11 and continue installation with Step 12.



Center Console

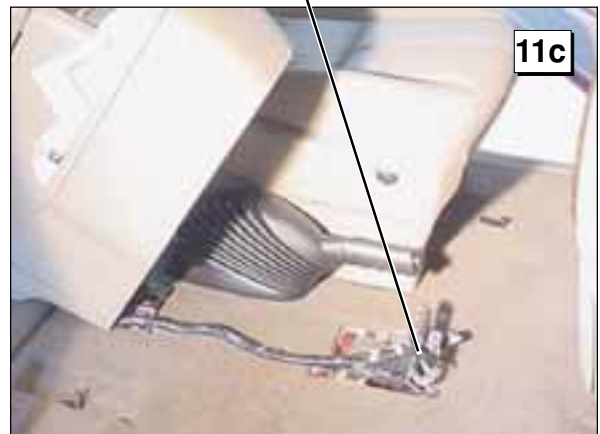
Open the top of the center console. There are two screws inside the box that must be removed. If the console does not appear as shown, you must remove the obstruction (refer to Ford Manual). Pull the handle at the front of the console and pull the VCR out of the console. After removing all obstructions from inside the console, use a 7MM wrench to remove the four screws securing the console.



Console Mounting Screws

OEM Harness Connectors

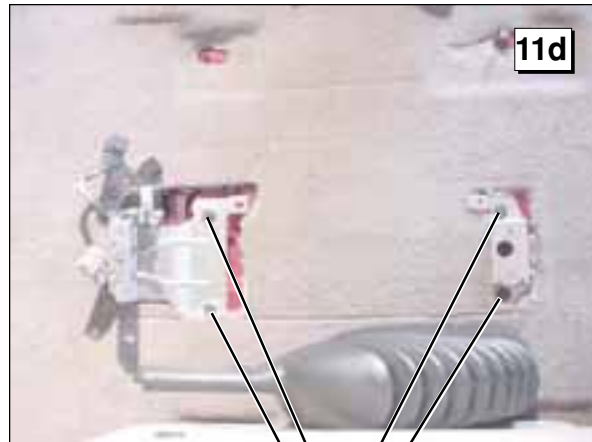
Carefully tilt the console toward the rear of the vehicle as shown. Disconnect the three OEM harness connectors. Remove the center console.



Installation Instructions

Remove Center Console (if equipped) (Continued)

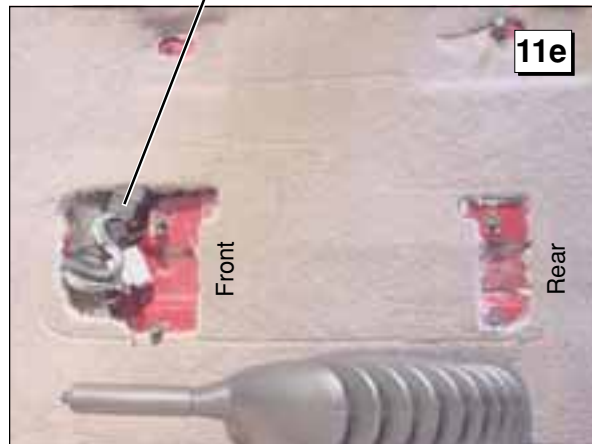
Use an 11MM wrench to remove the four bolts securing the center console mounting brackets. Remove the brackets.



Console Mounting
Bracket Bolts

Tape, Wire Tie & Tuck
harness as shown

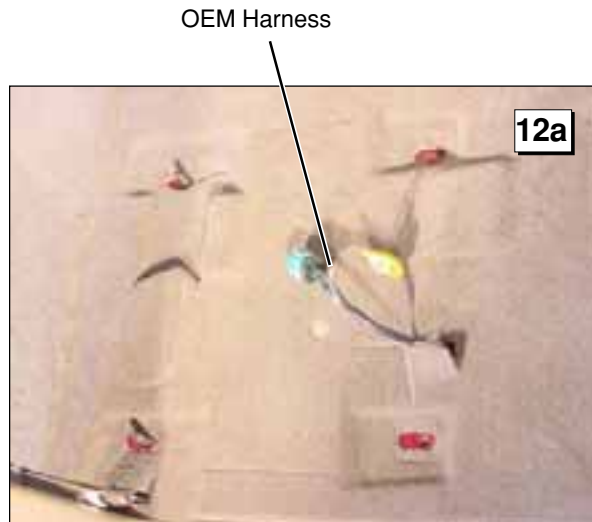
Use electrical tape to cover the ends of the OEM connectors. Wire tie the connectors together and tuck them into the carpet void as shown. Replace the front bracket's mounting bolts and tighten securely to plug the mounting holes. The connectors, bolts and the front carpet void will be covered by the Companion Seat base once it has been installed.



Note: The rear carpet void will be fitted with a cover plate after the power cable has been routed.

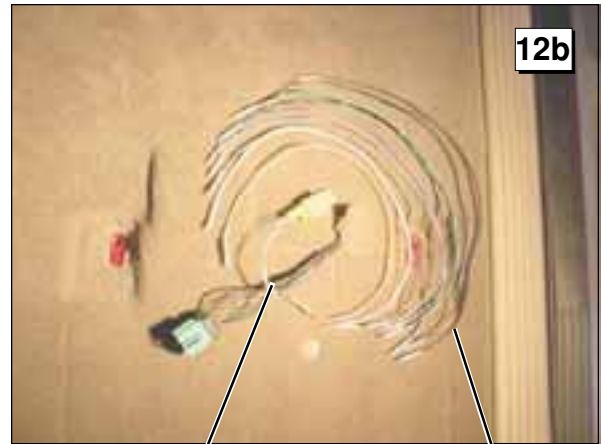
12 Extend OEM Harnesses

The OEM seat power harness (green plug) and seat mounted side air bag harness (yellow plug) must be extended. **Carefully** cut the OEM wiring harness two inches from the green and yellow plugs. Strip 3/8" of insulation from all wires.



Installation Instructions

The extension wires are shown here. The wires correspond with the OEM harness wires in color and gauge. Match the wires of the OEM harness and connector plugs to the extension wires (color and gauge). Insert the OEM wires into the corresponding butt connectors of the extension harness. Crimp the butt connectors securely. Place the extended air bag and power harness together in the plastic loom. See Photo 13a.



OEM Harness

Extension Wires

Extended OEM Harness

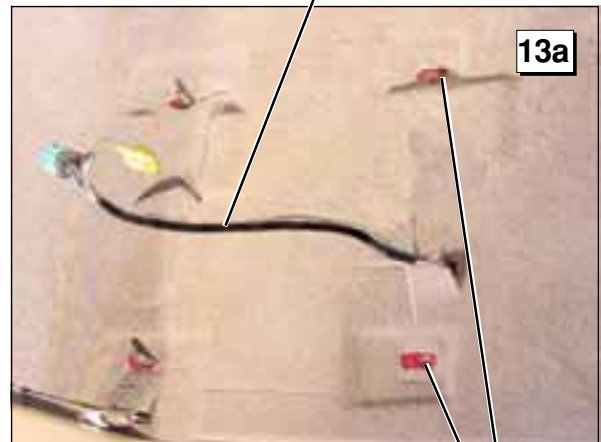
13 Prepare Seat Mounting Location

Route the extended harness toward the rear of the vehicle as shown.

⚠ WARNING

Check for obstructions such as gas lines, wires, exhaust, ect. before drilling or cutting. Failure to do so may result in serious bodily injury and/or property damage.

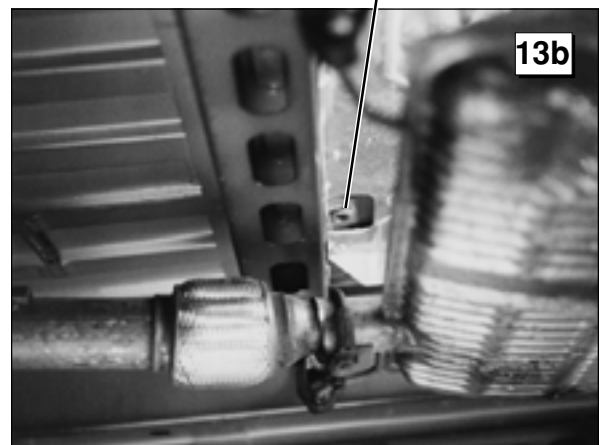
Carefully drill (ream) out the two front OEM seat mounting holes to 1/2" diameter.



OEM Seat Mounting Holes

Below Floor Bushings

Note: Threaded bushings are spot welded to the underside of the floor (previously for seat mounting bolt securement). Be sure The reaming procedure produces a 1/2" diameter hole though the vehicle floor and these bushings.



13b

Installation Instructions

14 Mount Companion Seat Base

Carefully position the seat base.

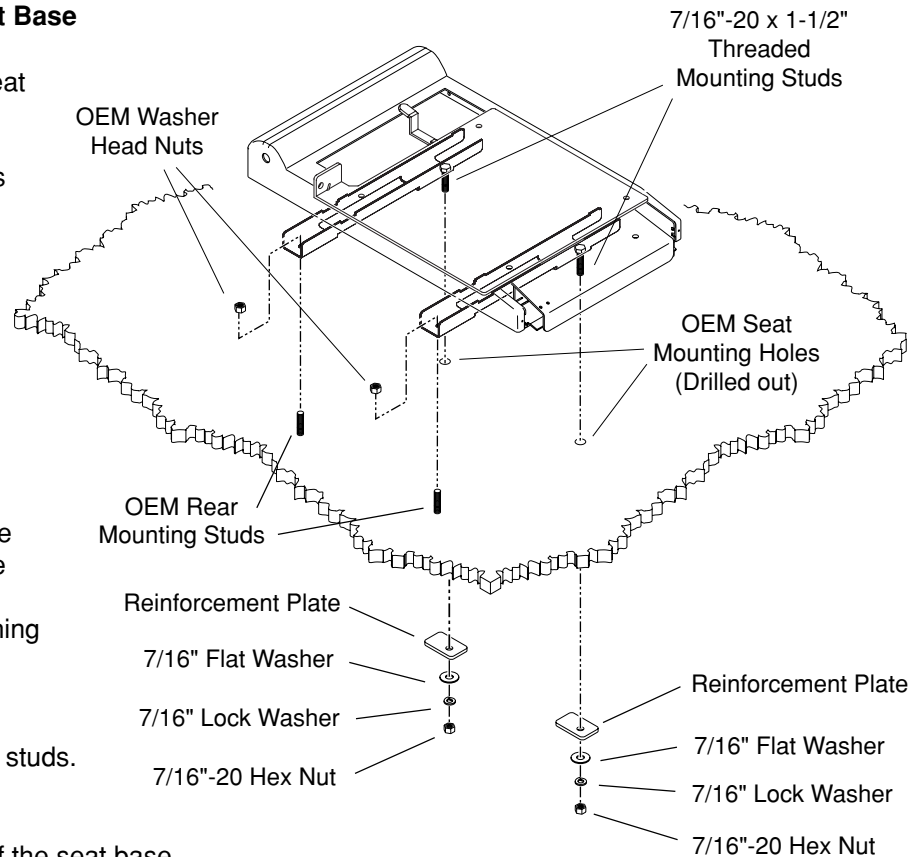
Two floor mounting cross members are located on the bottom of the Companion Seat base. One 1/2" diameter mounting hole is provided at the rear of each cross member.

Carefully position the seat base by inserting the two threaded studs in the two OEM front seat mounting holes and aligning the two 1/2" diameter Companion Seat base mounting holes with the OEM seat rear mounting studs.

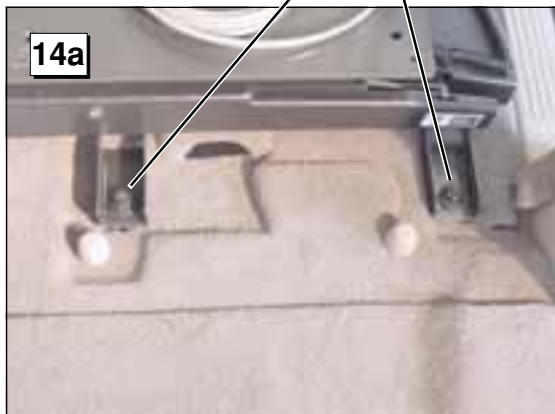
Note: Route the wiring harness out the corner of the seat base (between the driver's seat and Companion Seat base) such that the harness is **not damaged** when positioning the seat base.

Above Floor Mounting Hardware: Secure the two OEM rear mounting studs using the two OEM washer head nuts. Apply Loctite® or other thread locking compound to the mounting studs. Use an 18MM wrench to **tighten the bolts securely. Torque Specifications:** 41 foot pounds.

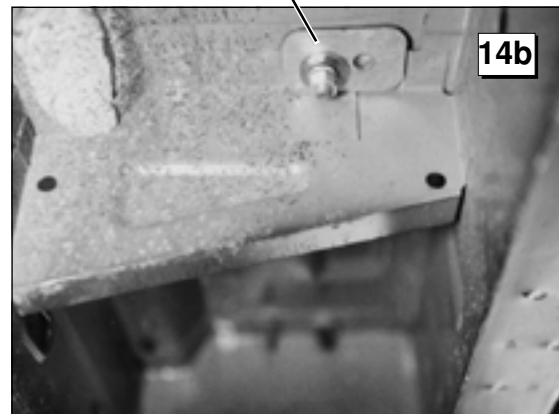
Below Floor Mounting Hardware: Place one reinforcement plate, one 7/16" flat washer, one 7/16" lock washer and one 7/16"-20 hex nut on each of the Companion Seat front mounting studs. **Tighten Securely. Torque Specifications:** 50-55 foot pounds.



Above Floor Mounting Hardware



Below Floor Mounting Hardware



Installation Instructions

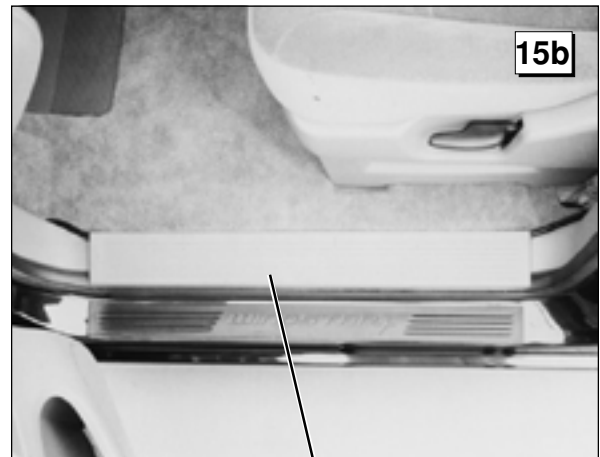
15 Route, Secure and Connect Power Cable

Route the Companion Seat power harness as shown. Route the harness through one of the voids in the OEM carpet to the carpet seam located between the driver and rear passenger seat. The harness is routed around the rear of the drivers seat as shown. Secure the power cable using the plastic cable clips and self tapping screws. Reposition the carpet seam to conceal the power cable.



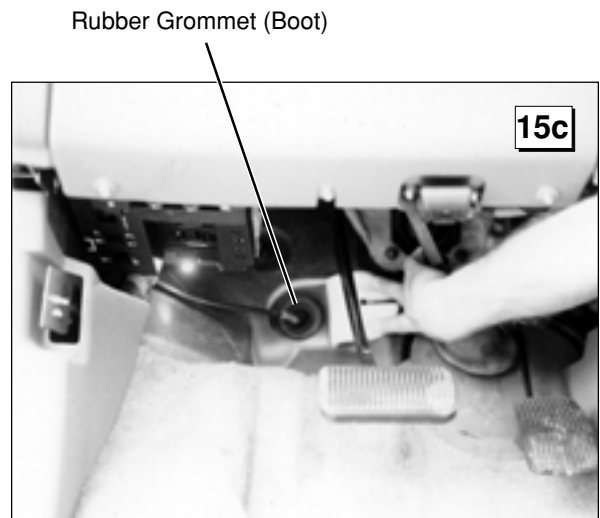
Plastic Cable Clip with Self Tap Screw Seam in Carpet with Power Harness Void in Carpet

Remove the driver's side plastic sill plate. The sill plate is secured with snap (clip) fasteners. Route the power cable under the sill plate toward the fire wall. Reposition and snap in the sill plate.



Door Sill Plate

Locate the rubber grommet (boot) located in the vehicle floorboard that the transmission shifter cable routes through to the engine compartment. Temporarily pull the insulated foam mat up from the floor to access the grommet. **Carefully** cut a hole (slit) in the rubber boot for power harness access.



Rubber Grommet (Boot)

Installation Instructions

Route, Secure and Connect Power Cable (Continued)

Open the vehicle hood. Temporarily remove the midsection of the fresh air intake duct to access the floor board. A hose clamp secures the passenger's side end of the duct and an over-center type clamp secures the driver's side end.

⚠ WARNING

Route cable clear of exhaust system, other hot areas and moving parts. Failure to do so may result in serious bodily injury and/or property damage.

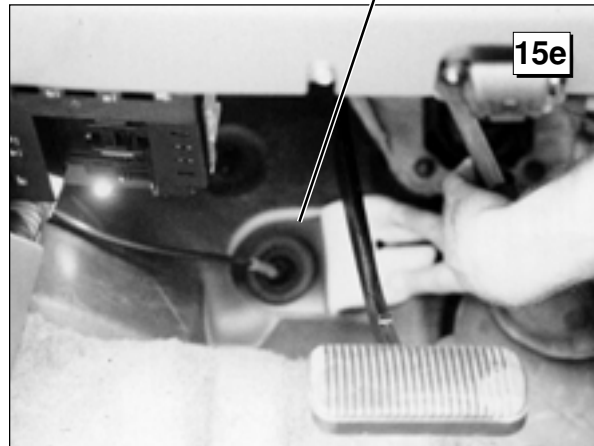
Carefully route the harness through the floor board access hole (see Photo 15e) into the engine compartment.



Midsection of Intake Duct

Rubber Grommet (Boot)

Carefully connect the fuse end of the wiring harness to the vehicle's **Positive (+)** battery post. Squeeze (depress) and lift the plastic battery post cover to access the battery post.



⚠ WARNING

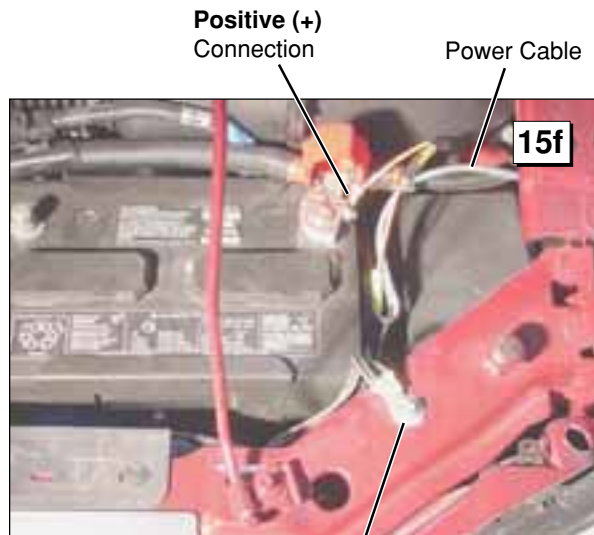


Risk of electrical shock! Use extra care when making electrical connections.

The Companion Seat power cable also has a ground terminal. Unscrew the OEM chassis ground and secure the

eye terminal of the power cable to the OEM chassis ground.

Tighten harness connections securely.
Reposition the plastic battery post cover.



Positive (+) Connection

Power Cable

OEM Ground Stud

Installation Instructions

Test the operation of the Companion Seat base to ensure the power cable has been connected properly. Cycle the Companion Seat base through the extend and retract operations using the hand held pendant. See operating instructions on pages 6 and 7.

After you have successfully cycle tested the Companion Seat base, return to the OEM rubber boot that the power cable is routed through. See Photo 15e. Caulk or silicon the area around the harness to seal the opening used to access the engine compartment of the vehicle.

Reposition and secure the fresh air intake duct in the engine compartment.

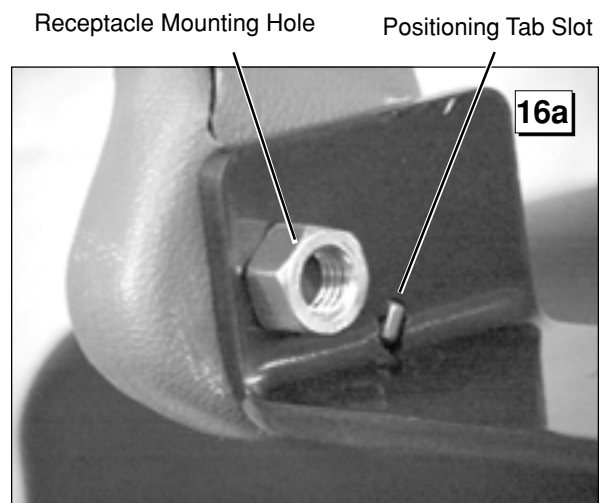


Install the center console mounting bracket cover. Use an 11MM wrench to secure the cover with the rear OEM mounting bracket bolts.



16 Secure Seat Belt Receptacle to Companion Seat Base

To secure the seat belt receptacle to the Companion Seat base, position the seat belt receptacle as shown. Be sure to insert the positioning tab on the seat belt receptacle assembly into the seat base positioning tab slot. See Photo 16a.

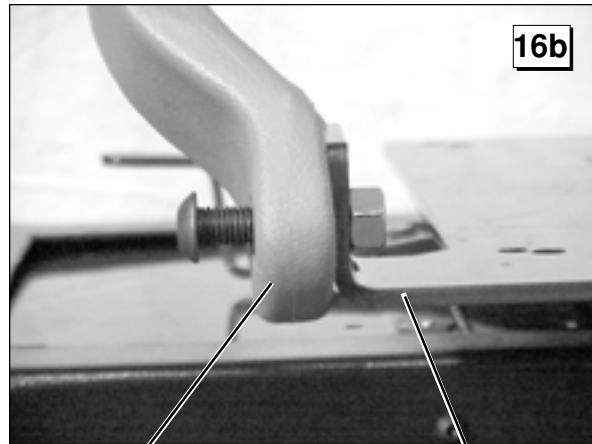


Installation Instructions

Secure Seat Belt Receptacle to Companion Seat Base (Continued)

Insert the 7/16" - UNF x 1-1/4" bolt into the receptacle and the Companion Seat base receptacle mounting hole. Secure the bolt with a 7/16" flat washer, a 7/16" lock washer and a 7/16" hex nut. Apply **loctite®** or other thread-locking compound to the mounting bolt. **Tighten securely. Torque Specifications:** 50-55 foot pounds.

Carefully reinsert the OEM plastic plug to conceal the receptacle mounting bolt. See Photo 4a on page 14.



Seat Belt Receptacle

Rotating Base

16b

17 Trim Manual Slide Plastic Seat Guards

The driver's side plastic seat guard must be trimmed to allow clearance for the OEM seat belt receptacle assembly.

Driver's Side Guard

17a



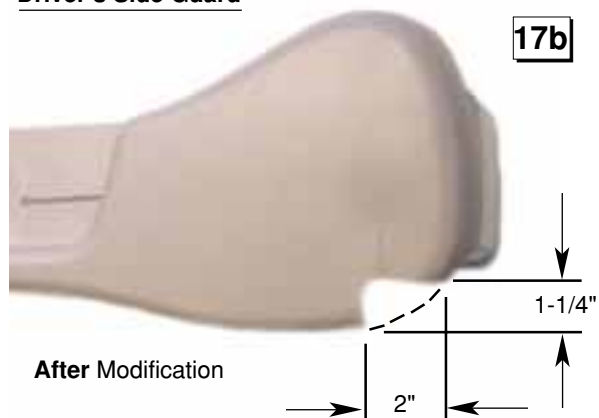
Before Modification

Trim the seat guard to the dimensions shown. Remove the dashed portion of the plastic seat guard.

Note: The passenger side plastic seat guard does not require modification.

Driver's Side Guard

17b



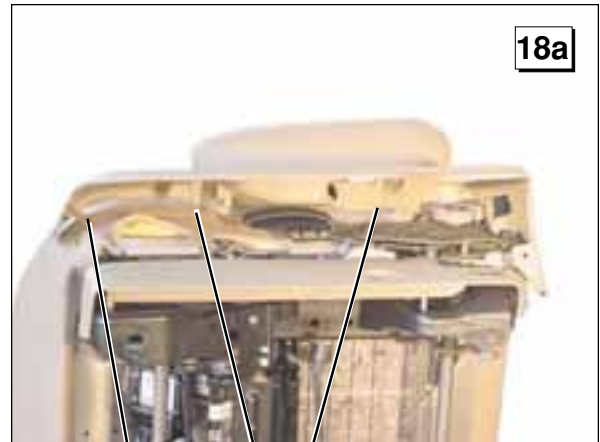
After Modification

Installation Instructions

18 Mount Plastic Seat Guards to Seat

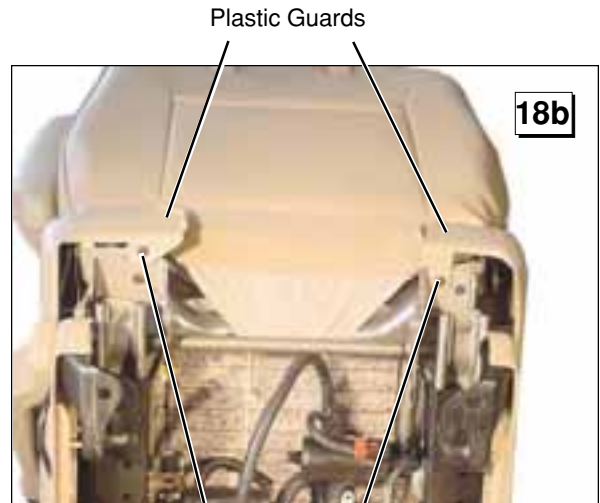
Reposition the plastic seat guards. Threaded insert type fasteners secure the guards at the front corner of the seat, (position these first and work toward the back of the seat). There are two snap (clip) type fasteners securing the guard along the side of the seat, secure them.

Note: Only the manual slide seat guards should be used with the Companion Seat.



Threaded Insert Fastener
Snap (clip) type fasteners

At this point the seat guard rear mounting holes should align with the mounting holes on the seat bottom. Use a T30 Torx wrench to install the OEM screws. As shown in Photo 18b.

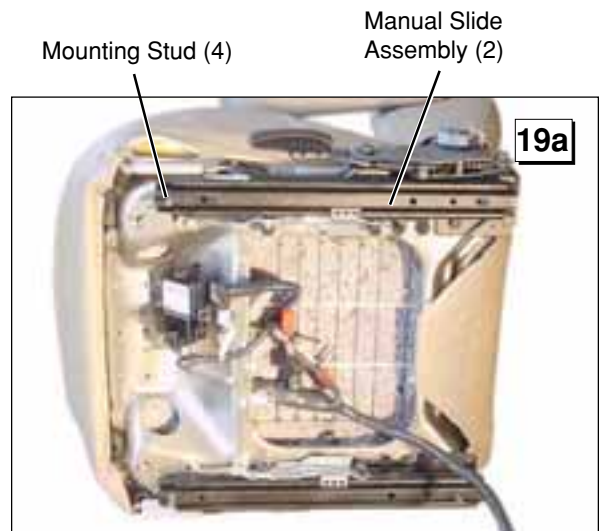


Torx Seat Guard Mounting Screws

19 Prepare Seat for Installation

The manual slides have mounting studs at each end. Using the slide adjustment lever on each slide assembly or the slide adjustment bar, adjust the stud position to be straight across from the studs on the opposite slide assembly. Also adjust the stud position "front-to-back" to determine the location of your seat after mounting it to the Companion Seat base. If equipped with a slide adjustment bar, remove it before mounting (squeeze the legs of the bar together to remove).

Note: After mounting the seat, the "front-to-back" position (slide) of the seat will not be adjustable.



Mounting Stud (4)

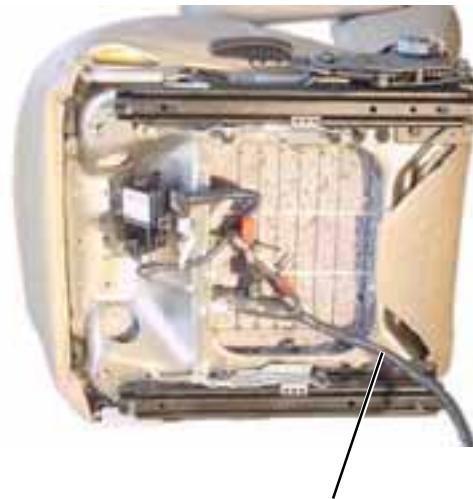
Manual Slide Assembly (2)

19a

Installation Instructions

Prepare Seat for Installation (Continued)

Be sure to run the OEM harness toward the rear of the seat. The harness will be reconnected to the vehicle at the back of the seat after mounting. By routing the harness toward the back of the seat it will also reduce the chance of damage during the securement of the seat assembly to the Companion Seat base.



19b

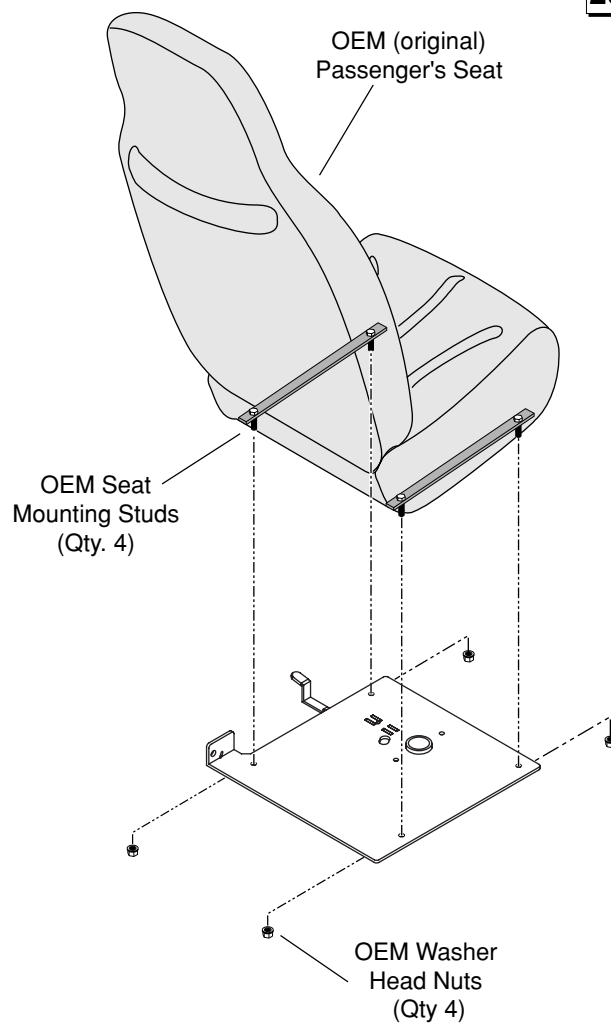
OEM Seat Harness

20 Mount Seat to Companion Seat Base

Rotate the seat base to the locked forward-facing position (the base retracted into vehicle and rotated to the forward facing position). Be sure the harness is clear (routed toward the rear of the vehicle) and position the seat onto the Companion Seat base.

Note: If the four OEM seat mounting studs do not line up with the Companion Seat base mounting holes, adjust slides as detailed in Step 19.

Insert the four OEM mounting studs into the Companion Seat mounting holes. Apply **loctite**® or other thread locking compound to the OEM seat mounting bolts. Use a 13MM wrench to **tighten** the four OEM washer head lock nuts. **Torque Specifications:** 17 foot pounds.



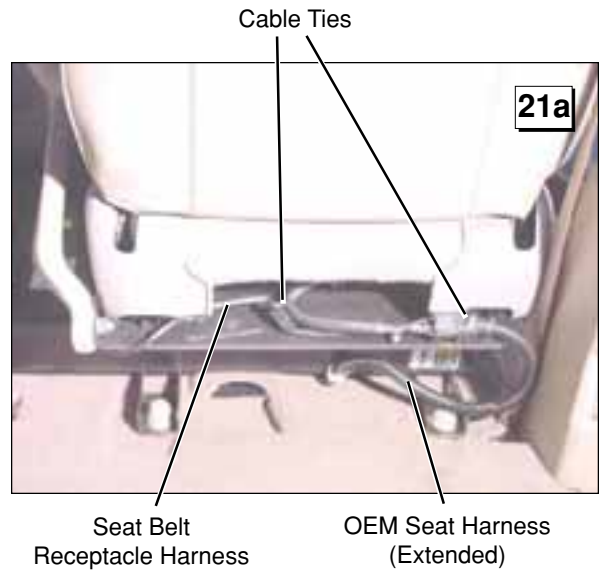
20

Installation Instructions

21 Reconnect and Secure OEM Harnesses

Connect the seat belt receptacle harness plug to the mating plug on the OEM seat harness as shown. Connect the OEM seat harness (yellow and green plugs) to the mating OEM plugs from the floor mounted OEM harness (extended harness).

Secure the seat harness to the seat bottom as shown using cable ties. Be sure the harnesses are secured loosely enough to eliminate component strain.



The extension harness must be secured to the Companion Seat as shown. Cycle the Companion Seat through the seat rotation and the stow/deploy cycles to determine the proper mounting length for the harness. The cable should not be strained during any part of the operation of the Companion Seat. Use a plastic clip for securement. Drill a 13/64" mounting hole in the Companion Seat plastic shroud for the clip. Use the pop rivet with a backing washer to secure the clip and harness to the shroud.



22 Test Seat Operation

Carefully operate the Companion Seat through all cycles following the operating instructions contained in this manual and posted on Warnings and Seat Operating Instructions decal 22616.

Keep all OEM hardware for possible use in the future.



Installation Instructions

23

Post Decals

⚠ WARNING

Affix decals as specified. Failure to do so may result in serious bodily injury and/or property damage.

Post (affix) the safety instructions decals supplied with the Companion Seat at the locations specified here.

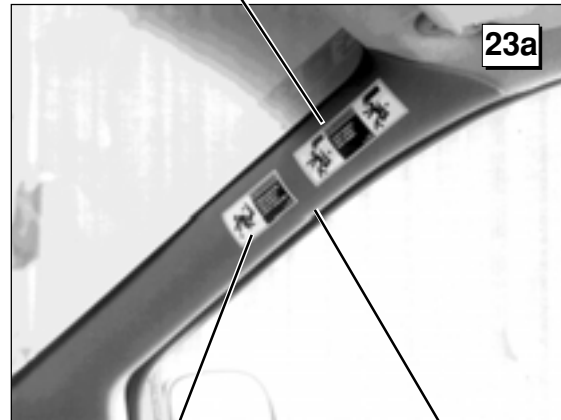
The decals **must** be visible to the Companion Seat occupant. **Important!** Prepare the decal posting surfaces as detailed.

Decal Application Procedure (Surface Preparation): Clean decal posting surfaces with isopropyl alcohol before decal application. Use a clean cloth or paper towels. **Do not** use oily shop rags. Wipe surface free of residue with dry portion of cleaning cloth.

Post Extend and Recline Warning Decal 21418 and Head Clearance Warning Decal 21419 as shown. Post decals on front door post (plastic molding) at edge of windshield.

Post Warnings and Seat Operating Instructions Decal 22616 on the vehicle dash as shown.

Decal #21419



Decal #21418

Passenger's Door
Front Door Post

23b



Decal #22616

24

Companion Seat Manual:

Provide this manual to the consumer. **The manual must be stored in the Companion Seat-equipped vehicle at all times.**

⚠ WARNING

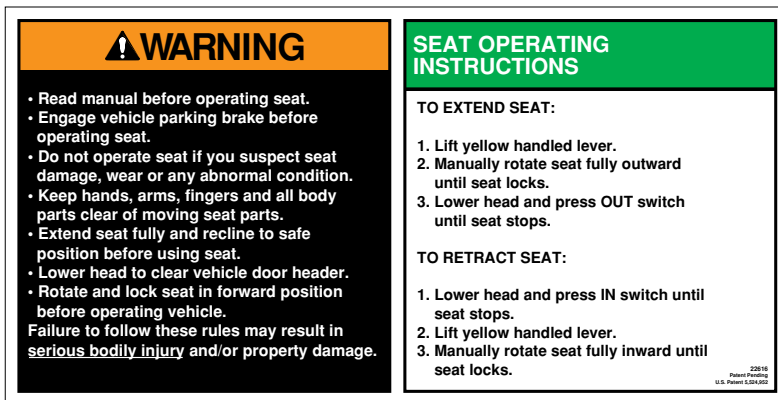
Companion Seat owner's manual must be stored in seat-equipped vehicle at all times. Failure to do so may result in serious bodily injury and/or property damage.

Safety Instructions Decals



Inspect your Companion Seat regularly for any missing, worn or illegible decals. Part numbers are provided for all decals. Be certain decals 21418, 21419 and 22616 have been posted in the locations specified in Step 23 of the Installation Instructions (page 30). These decals **must** be visible to the Companion Seat occupant. **Important!** Prepare the decal posting surfaces as detailed.

Decal Application Procedure (Surface Preparation): Clean decal posting surfaces with isopropyl alcohol **before** decal application. Use a clean cloth or paper towels. **Do not** use oily shop rags. Wipe surface free of residue with dry portion of cleaning cloth.



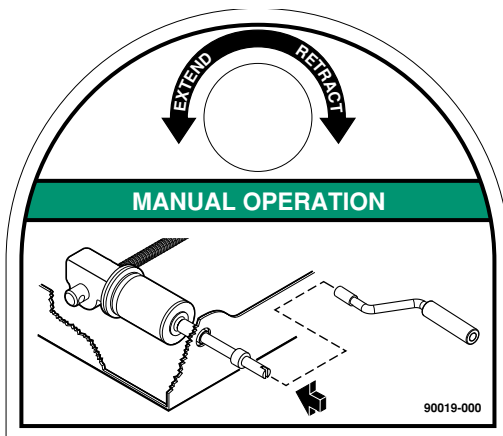
Decal 22616
Actual Size:
8-1/8" Wide x 4-1/8" Tall



Decal 21417
Actual Size:
2-15/32" Wide x 1-5/16" Tall



Decal 21599
Actual Size:
2-15/32" Wide x 1-5/16" Tall



Decal 90019-000
Actual Size:
3-1/2" Wide x 3" Tall



Decal 21418
Actual Size:
3-3/8" Wide x 1-3/4" Tall



Decal 21419
Actual Size:
5" Wide x 1-3/4" Tall

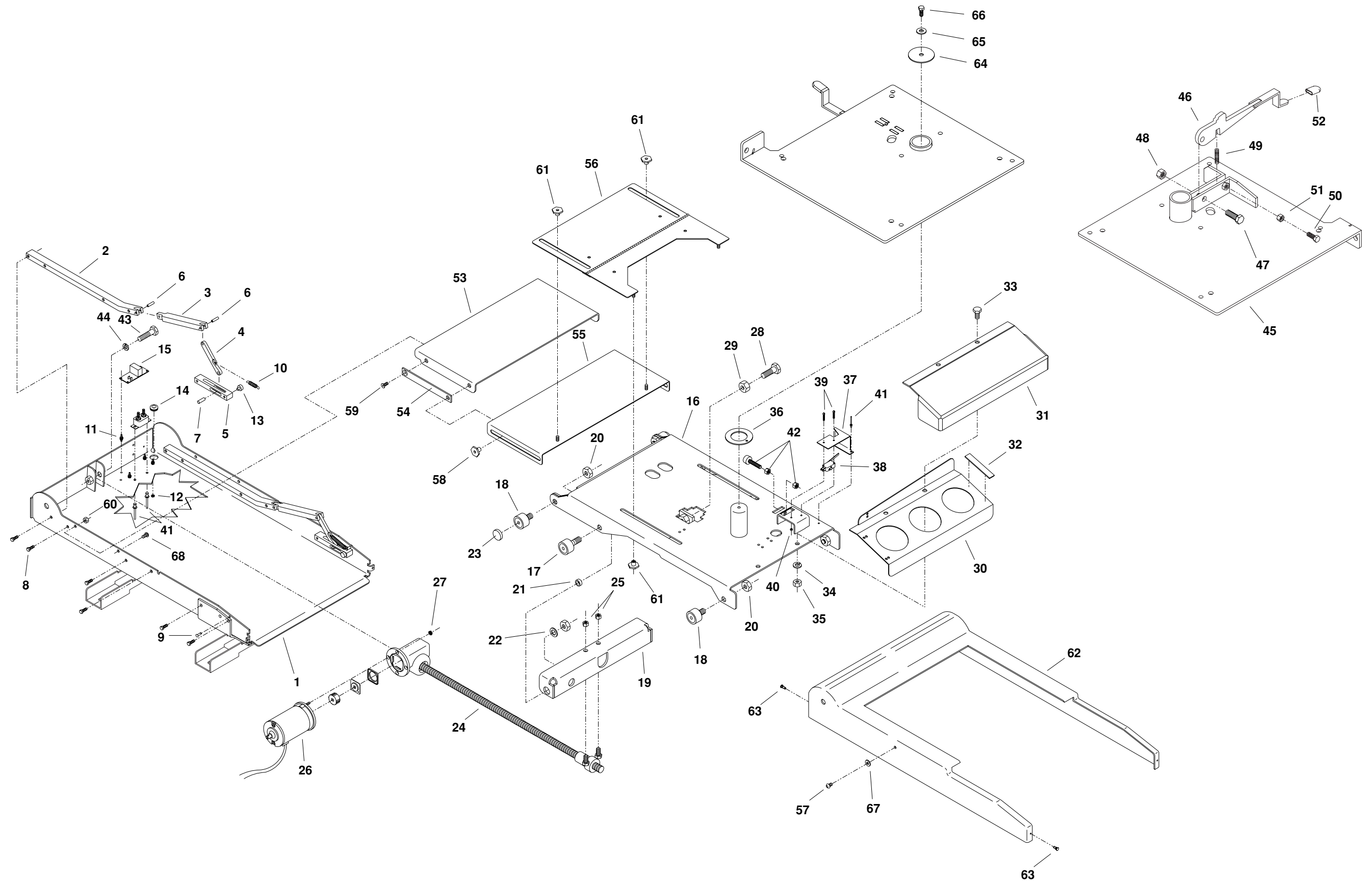
Companion Seat Parts List

Companion Seat Parts List

- This parts lists and the exploded view is provided to identify a specific part if a replacement is required. To order a replacement part please call the Braun Product Support Department at 1-800-THE LIFT.

| Item | Qty. | Description | Part No. |
|------|------|--|-------------|
| 1 | 1 | Weldment, Lower Carriage - Windstar | 05778-000 |
| 2 | 2 | Guide, Roller Fixed | 05715-000 |
| 3 | 2 | Linkage, Roller Guide - Pivot | 05716-000 |
| 4 | 2 | Linkage, Roller Guide | 05717-000 |
| 5 | 2 | Guide, Roller - Fixed/Slotted | 05718-000 |
| 6 | 4 | Pin, Spring 3/16" x 3/4" | 86058-000 |
| 7 | 2 | Pin, Dowel 1/4" x 3/4" | 86062-000 |
| 8 | 12 | Bolt, 1/4-20 x 3/4" - Grade 5 - Hex - Auto Black | 10970 |
| 9 | 2 | Pin, Clevis 3/16" x 1/2" | 86046-000 |
| 10 | 2 | Spring, Extension 0.3" OD x 1.25" L x 0.037" W | 98038-000 |
| 11 | 4 | Standoff, Nylon | 91247-000 |
| 12 | 4 | Nut, #8-32 Hex - Auto Black | 10777 |
| 13 | 2 | Spacer, Side Rail | 05762-000 |
| 14 | 1 | Grommet, Rubber 3/4" OD x 1/2 ID | 91016-000 |
| 15 | 1 | Assembly, Companion Seat Board | 05723-000 |
| 16 | 1 | Weldment, Upper Carriage | 05791-000 |
| 17 | 2 | Bearing, 1 1/4" OD Cam Follower | 13040 |
| 18 | 4 | Bearing, 1 1/4" Cam Follower - SHT | 20716 |
| 19 | 1 | Bracket, Actuator | 05704-000 |
| 20 | 6 | Nut, 1/2-20 Hex Jam - Auto Black | 83022 |
| 21 | 2 | Tubing, 3/4" OD x 0.510" ID x 0.3" | 13135R000.3 |
| 22 | 2 | Washer, 0.519" ID x 0.876" OD x 0.074" | 12621 |
| 23 | 2 | Roller, Side Spacer | 05763-000 |
| 24 | 1 | Weldment, Actuator - Companion Seat | 05789-000 |
| 25 | 2 | Nut, 3/16-16 UNC Hex Lock - Auto Black | 13617 |
| 26 | 1 | Motor, Actuator Wired (13072) | 12852 |
| 27 | 2 | Nut, #10-32 W - Lock Washer - Auto Black | 18349 |
| 28 | 1 | Bolt, 1/2-13 x 1 3/4" Grade 5 Zinc | 29672 |
| 29 | 1 | Nut, 1/2-13 Hex | 10060 |
| 30 | 1 | Support, Outer Cover - Seat Base | 29307 |
| 31 | 1 | Cover, Plastic Outer - Companion Seat | 29316 |
| 32 | 1 | Tape, Double Face - 1/16" x 3/4" x 108" | 82033R004 |
| 33 | 2 | Bolt, 3/8-16 x 3/4" Grade 5 - Hex - Auto Black | 12463 |
| 34 | 2 | Washer, 3/8" Lock - Auto Black | 10069BK |
| 35 | 2 | Nut, 3/8-16 Hex - Auto Black | 10059BK |
| 36 | 1 | Bearing, 1 1/2" ID Peer Thrust | 99236-000 |
| 37 | 1 | Bracket, Switch | 05732-000 |
| 38 | 1 | Switch, Micro - SPDT C-H | 14218 |
| 39 | 2 | RMS, #4-40 x 3/4" | 85007-000 |
| 40 | 2 | Nut, #4-40 Hex | 10976 |
| 41 | 2 | Rivet, Pop - SD45BS - 1/8" - 0.25" / 0.31" | 13906 |
| 42 | 1 | Assembly, Cap & Bolt - 1.5" - Whale | 18078A-1.5 |
| 43 | 1 | Bolt, 7/16-20 x 2" Hex | 77106 |
| 44 | 1 | Washer, 7/16" Lock | 13843 |
| 45 | 1 | Weldment, Seat Pan - Windstar | 05793-000 |
| 46 | 1 | Weldment, Latch Swivel - Seat Plate | 05787-000 |
| 47 | 1 | Bolt, 1/2-13 x 1 1/2" Hex | 10038 |
| 48 | 1 | Nut, 1/2-13 Hex Lock | 13157 |
| 49 | 1 | Spring, WD Companion 0.36" OD x 1.5" L x 0.055" | 98041-000 |
| 50 | 1 | Bolt, 3/8-16 x 1" Hex - Auto Black | 10025 |
| 51 | 1 | Nut, 3/8-16 Hex | 10059 |
| 52 | 1 | Cap, Vinyl 5/8" x 3/16" x 1 1/4" | 18238 |
| 53 | 1 | Cover, Motor - Companion Seat | 05714-000 |
| 54 | 2 | Guide, Side - UHMW - 1/8" x 3/4" x 6 1/4" | 05742-000 |
| 55 | 1 | Cover, Lower - Companion Seat | 05721-000 |
| 56 | 1 | Weldment, Cover In / Out - Companion Seat | 05788-000 |
| 57 | 2 | Bolt, 1/4-20 x 3/8" FLBHSCS - Grade 8 | 28252 |
| 58 | 2 | Nut, Barrier Pivot | 04082-000 |
| 59 | 2 | Bolt, 1/4-20 x 3/4" Flat Socket Button Head - Auto Black | 18708 |
| 60 | 2 | Nut, 1/4-20 Hex | 10057 |
| 61 | 4 | Nut, Barrier Stainless Steel | 04395-000 |
| 62 | 1 | Cover, Companion Seat | 05768-000 |
| 63 | 4 | Rivet, Snap - 0.201" x 0.256" / 0.295" - Black | 26362 |
| 64 | 1 | Washer, Floor - 2 3/8" OD x 3/8" ID | 82023-000 |
| 65 | 1 | Washer, Flat - 5/16" - Auto Black | 10063 |
| 66 | 1 | Bolt, 5/16-18 x 3/4" Hex | 13890 |
| 67 | 2 | Washer, 1/4" Flat - Auto Black | 10062 |
| 68 | 2 | Bolt, 1/4-20 x 1/2" Socket Button Head - Auto Black | 15733 |

Companion Seat™ Exploded View

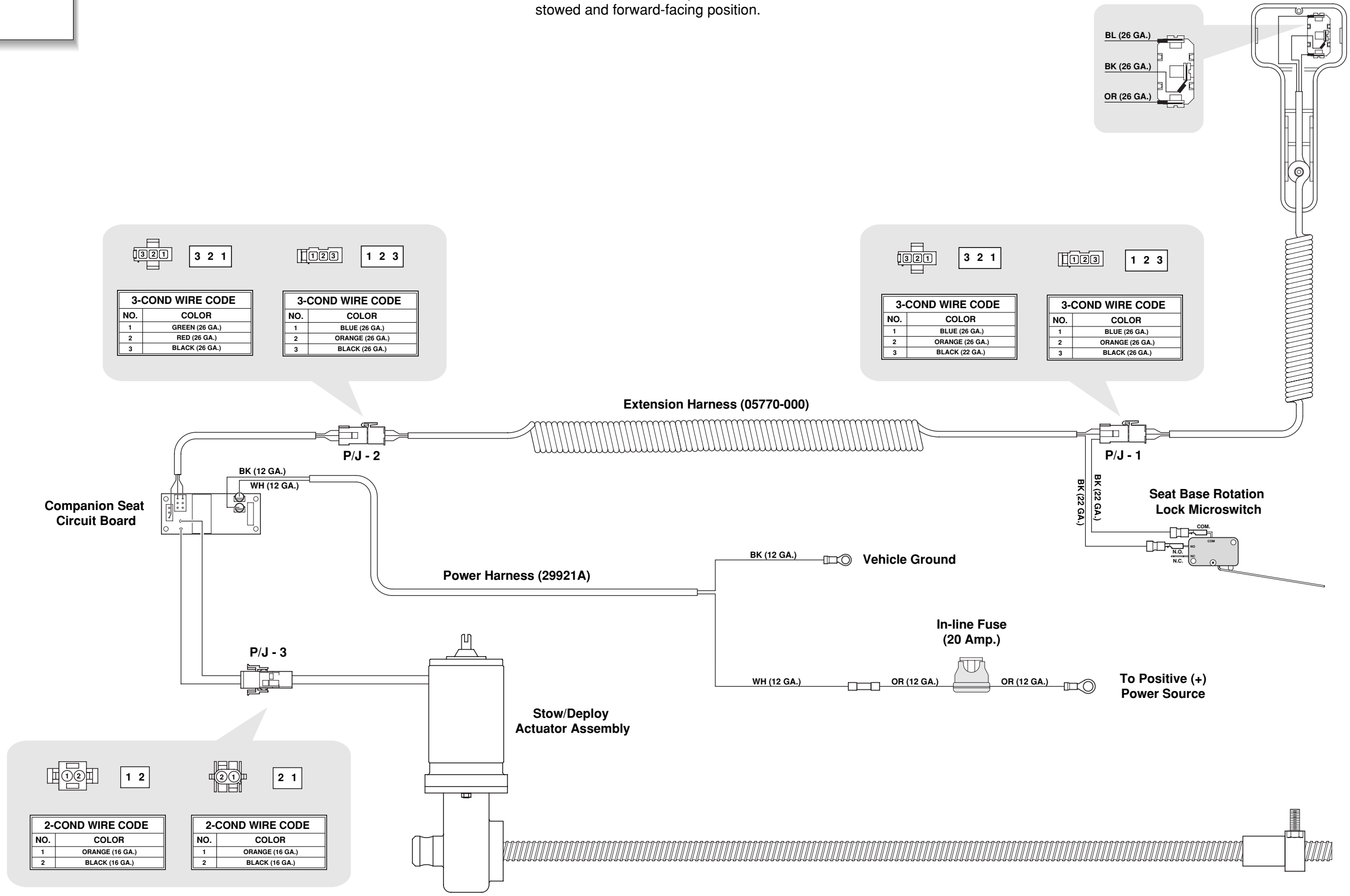


Unfold for:
Companion Seat™
Exploded View

Wiring Diagram

Note: Shown with Companion Seat in stowed and forward-facing position.

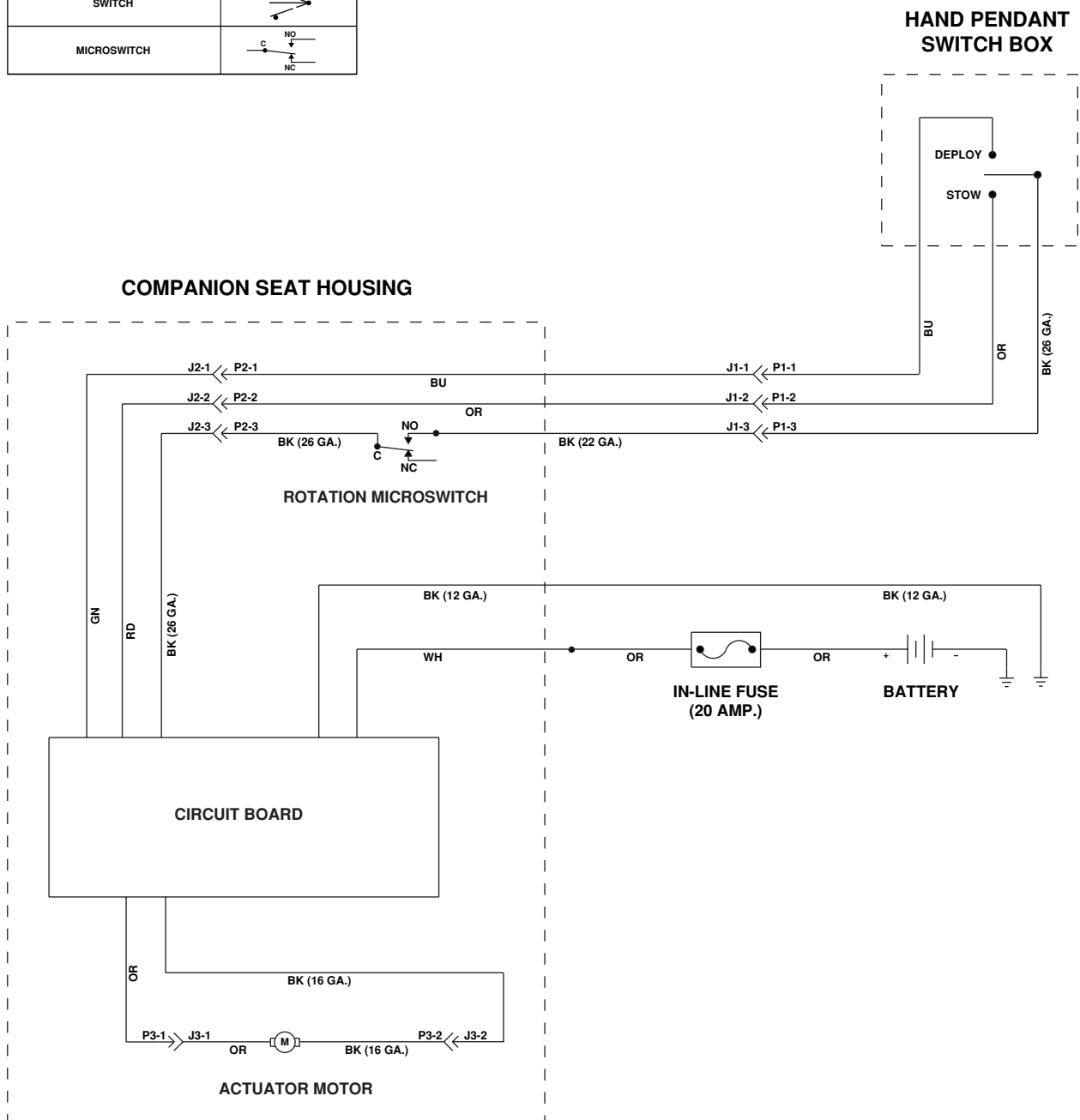
Stow/Deploy Switch
Hand Pendant (06318-000)
(As Viewed from Terminal
Side of Switch)



Electrical Schematic

Note: Shown with Companion Seat in stowed and forward-facing position.

| DESCRIPTION | SYMBOL |
|----------------|--------|
| BATTERY | |
| CHASSIS GROUND | |
| IN-LINE FUSE | |
| CONNECTORS | |
| JUNCTION | |
| MOTOR | |
| SWITCH | |
| MICROSWITCH | |

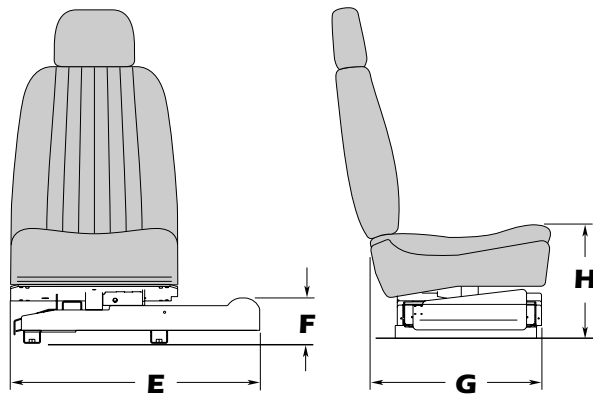
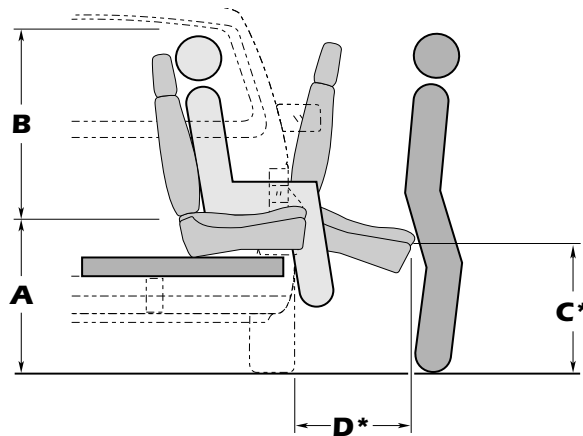


Dimensions and Specifications

| Dimensions | | |
|---|-----------|---------|
| Seating Surface to Ground (Retracted Position) | A | 29 3/4" |
| Head Clearance (Seating Surface to Door Header) | B | 32 3/4" |
| Seating Surface to Ground (Extended Position) | C* | 19 3/4" |
| Side of Van to Front Edge of Seat | D* | 15 1/2" |
| Overall Width (Side to Side) | E | 29 3/8" |
| Overall Height of Seat Base | F | 5 1/4" |
| Overall Depth (Front to Rear) | G | 24" |
| Seating Surface to Vehicle Floor | H | 14 1/4" |

* Dimensions C and D are dependant upon the mounting position of the OEM manual slide tracks during the installation procedures. The dimensions can range as indicated below.

| Position of OEM Manual Slide | | | |
|------------------------------|------|---------|---------|
| | Back | Center | Forward |
| C* | 22" | 19 3/4" | 18 1/2" |
| D* | 11" | 15 1/2" | 18" |



Note: All dimensions are approximate.

| Specifications | |
|--|--|
| Frame Construction ..Mist Grey Powder Coated Steel | ControlsToggle Switch Hand Pendant |
| Seat Capacity 300 lbs. | In-Line Fuse 20 amp. |
| Shipping Weight 130 lbs. | Cycle Time (each way) 18 seconds (approximate) |
| Power Supply 12 Volt DC | Swivel 90° (Manual Operation) |
| * Motor12 Volt DC Reversible Automotive Type | Auxiliary Operating SystemManual Type |

* with thermal overload protection

"Providing Access to the World"®



**Over 300 Braun Dealers
and Distributors Worldwide**

 **THE BRAUN
CORPORATION®**
"Providing Access to the World"



International Corporate Hdqrs: P.O. Box 310 Winamac, IN 46996 USA
1-800-THE LIFT (574) 946-6153 FAX: (574) 946-4670

Braun "Worry-Free" Three-Year Limited Warranty

The Braun Corporation of Winamac, Indiana, warrants its wheelchair lift against defects in material and workmanship for three years, providing the lift is operated and maintained properly and in conformity with this manual. This warranty is limited to the original purchaser and does not cover defects in the motor vehicle on which it is installed, or defects in the lift caused by a defect in any part of the motor vehicle.

This warranty commences on the date the lift is put in service, providing the warranty registration card is completed and received by The Braun Corporation within 20 days of purchase.

This warranty also covers the cost of labor for the repair or replacement of most parts for one year when performed by an authorized Braun Representative. (A Braun labor schedule determines cost allowance for repairs.)

This warranty does not cover normal maintenance, service, or periodic adjustments necessitated by use or wear. The Braun Corporation will not, under any circumstances, pay for loss of use of lift or vehicle in which it is installed or loss of time.

This warranty will become null and void if the lift has been damaged through accident, misuse, or neglect, or if the lift has been altered in any respect.

Return Authorization Procedure

When processing any warranty claims (parts, repairs, etc.), all requests must be processed through The Braun Corporation Product Support Department. Call 1-800-THE LIFT (extension 3009) during normal working hours. Product Support will issue a Return Material Authorization (RMA) number and detail the procedures required for processing returns and/or authorizing credit.

The lift identification information is provided on the Braun Serial No./Series No. identification tag and the two warranty cards (shown on inside front cover). The lift identification information must be provided when filing a warranty claim or ordering parts.

Assistive Power Seat Base for Ford Windstar



"Providing Access to the World"®

International Corporate Hdqrs: P.O. Box 310 Winamac, IN 46996 USA
1-800-THE LIFT (574) 946-6153 FAX: (574) 946-4670



23560F October 2003



Companion Seat™
for Ford Windstar

All illustrations, descriptions and specifications in this manual are based on the latest product information available at the time of publication. The Braun Corporation reserves the right to make changes at any time without notice.