

Braun Corporation Product Bulletin

Effective For: Optional midpoint (second row) Companion Seat™ installation in 1997 and newer General Motors Mini-vans.

This supplement is an installation and service related bulletin. Companion Seat operation procedures are not affected. Refer to pages 2-8 of GM Companion Seat Owner's/Installation manual 24154G for all Companion Seat safety and operation details.

Installation: Read this supplement as well as all installation instructions contained in GM Companion Seat Owner's/Installation manual 24154G (and additional supplements) **before** beginning installation procedures. Manual 24154G is supplied in the Companion Seat installation package.

If you are installing the Companion Seat in the front passenger seat location, **disregard** this bulletin. Install the unit as detailed in the Installa-

tion Instructions provided in manual 24154G.

When installing a Companion Seat in the second row passenger side position in a General Motors Mini-van, the OEM floor-mounted seat strikers are utilized for securement.

The Companion Seat power cable must be extended. Extension harness 30581A is provided with second row installation kit 30578A.

Contact The Braun Corporation at 1-800-THE LIFT if you have any questions regarding this bulletin.

All illustrations, descriptions and specifications in this supplement are based on the latest product information available at the time of publication. The Braun Corporation reserves the right to make changes at any time without notice.

GM Companion Seat Second Row Installation Instructions

1 Remove OEM Second Row Seats

The OEM driver side and passenger side second row seats must be removed from the vehicle. The seats are easy to remove using the quick release system. No tools are required. Refer to the OEM owner's manual for detailed seat removal instructions.

Note: Although the driver side second row passenger seat will not be modified or affected by the Companion Seat, temporary removal is required for clearance during installation procedures.

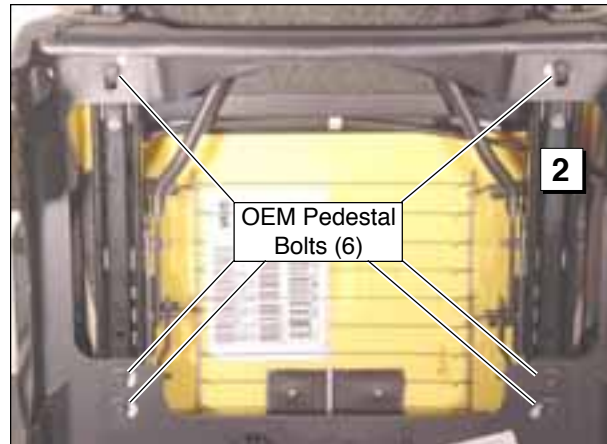


OEM Floor Mounted Seat Strikers (4 per Seat)

2

Remove Seat Pedestal

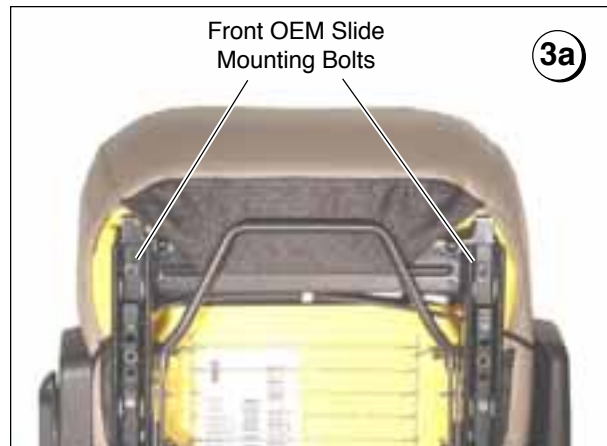
The seat pedestal must be removed. Use a 10MM socket to remove the (6) OEM bolts securing the pedestal to the seat assembly. The bolts are located on the bottom of the seat assembly (see Photo 2). Retain all hardware removed during Steps 2 through 5.



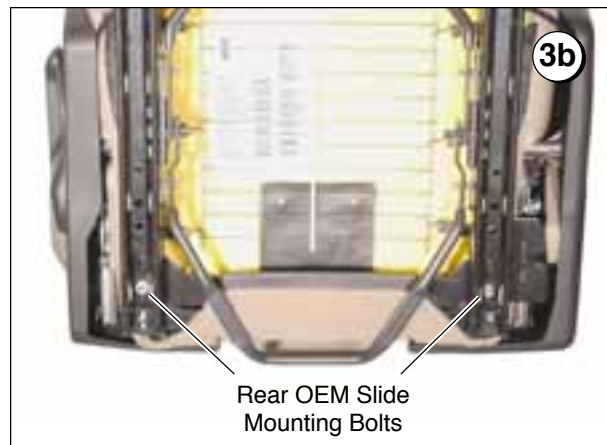
3

Remove Adjustment Slides

Front Bolts: Use adjustment bar to slide the adjustment track back to expose OEM mounting bolts (see Photo 3a). Use a T40 Torx wrench to remove the slider assembly front bolts (2).

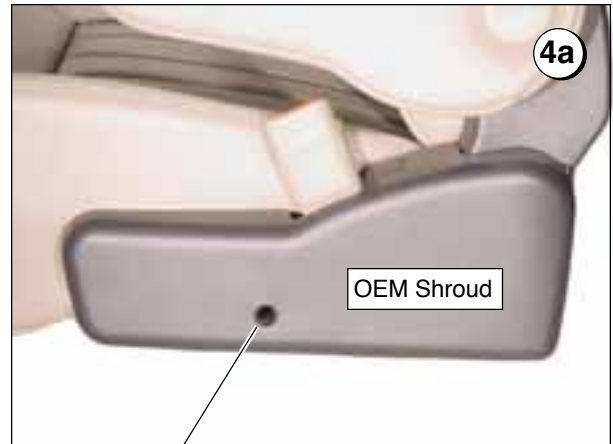


Rear Bolts: Use adjustment bar to slide the adjustment track forward to expose OEM mounting bolts (see Photo 3b). Use a T40 Torx wrench to remove the slider assembly rear bolts (2). Remove slide assembly.



4 Remove Driver Side Shroud

Left Hand Shroud Screw: The driver side shroud is secured with two screws. Use a 1/4" hex head socket to remove the screw located on the left hand side of the seat shroud (see Photo 4a).



OEM Shroud Mounting Screw

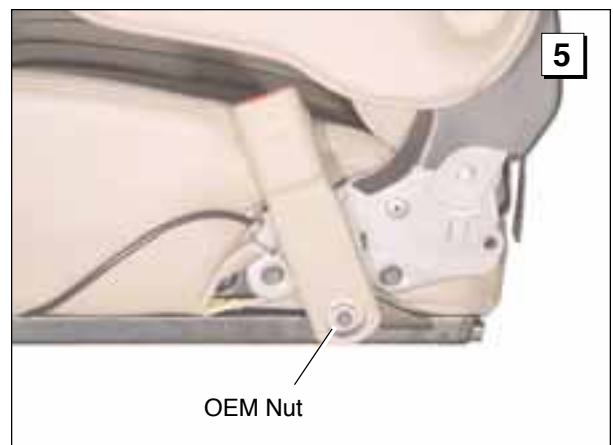
Rear Shroud Screw: Use a 1/4" hex head socket to remove the screw located at the rear of the seat shroud. Remove shroud.



OEM Shroud Mounting Screw

5 Remove Seat Belt Receptacle

The OEM seat belt receptacle must be removed. Use an 18MM socket to remove the nut securing the receptacle to the seat assembly. The nut is located at the base of the seat belt receptacle (see Photo 5). Remove seat belt receptacle.



OEM Nut

6

Install Mounting Leg Assemblies

Installation of the Companion Seat in the second row position requires additional mounting leg assemblies (see Figure 6a). The mounting leg assemblies engage the OEM floor-mounted strikers.

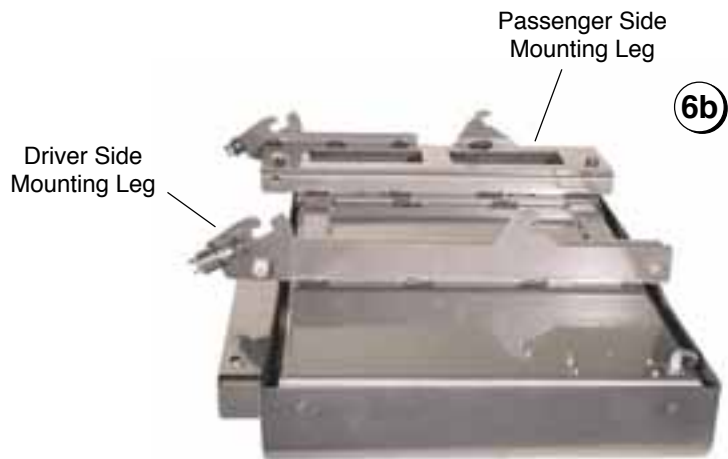
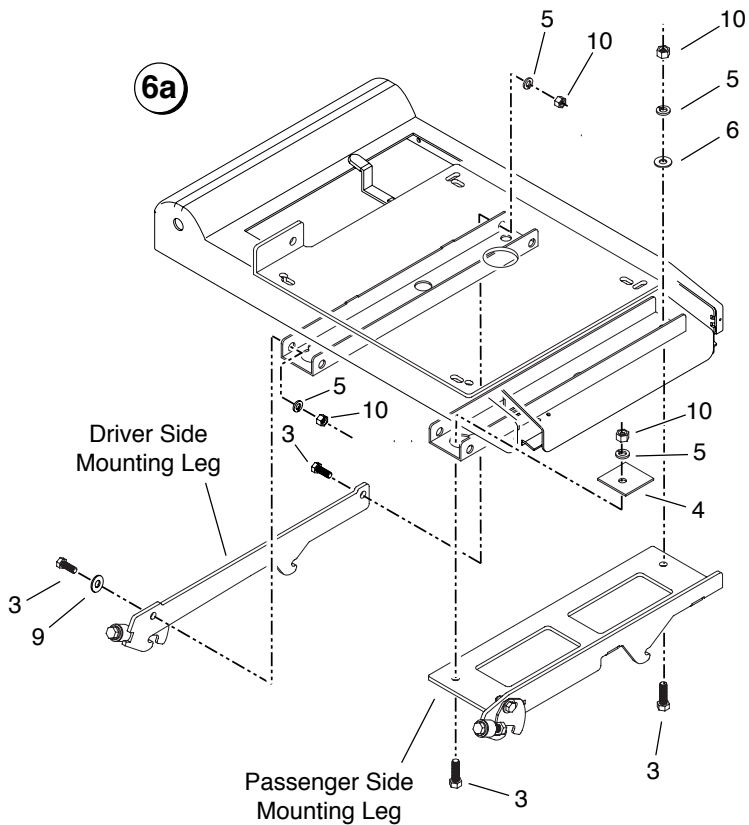
Driver Side Mounting Leg:

Temporarily remove the clamp (hook) assembly and mounting hardware from the rear end of the leg. Secure the driver side leg using two 7/16"-20 x 1" hex bolts (item 3). Place the 3/8" flat washer (item 9) onto the rear mounting bolt. Reposition the clamp assembly and insert the bolt through the clamp assembly, the mounting leg and the seat base channel as shown. Secure the bolt with one 7/16" lock washer (item 5) and one 7/16" hex nut (item 10). Install the front mounting bolt and secure with one 7/16" lock washer (item 5) and one 7/16" hex nut (item 10). Snug tighten mounting hardware.

Passenger Side Mounting Leg:

Secure the driver side leg using two 7/16"-20 x 1" hex bolts (item 3). Secure the front bolt with one flat washer (item 6), one 7/16" lock washer (item 5) and one 7/16" hex nut (item 10). Secure the rear bolt with the square reinforcement washer (item 4), one 7/16" lock washer (item 5) and one 7/16" hex nut (item 10). Snug tighten mounting hardware.

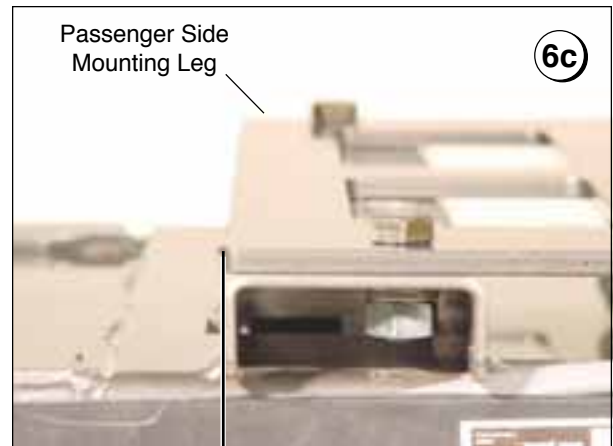
Position the mounting leg as outlined on the following page.



Bottom View of Companion Seat with Mounting legs

Passenger Side Mounting Leg Alignment: Position the passenger side leg as shown in Photos 6c and 6d. Align the leg with the Companion Seat base U-channel.

Tighten the passenger side leg mounting hardware securely. **Torque Specifications:** 50-55 foot pounds.



Align

Note: The mounting legs are designed to match up with the OEM floor-mounted strikers. Alignment is important to provide a positive engagement with the OEM strikers.

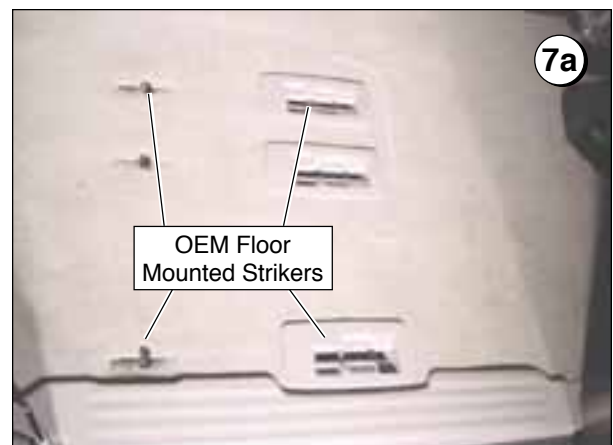


Align

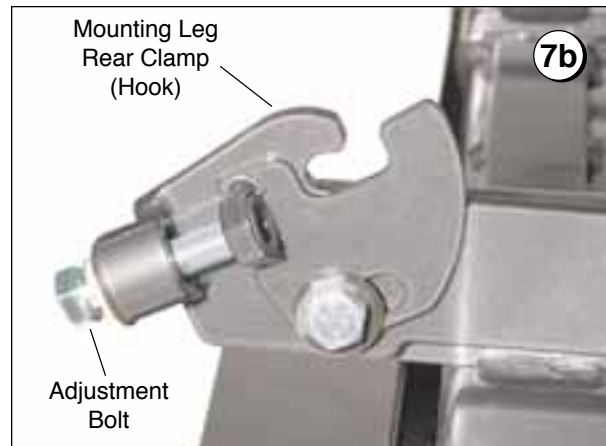
7

Locate and Secure Companion Seat Assembly in the Vehicle

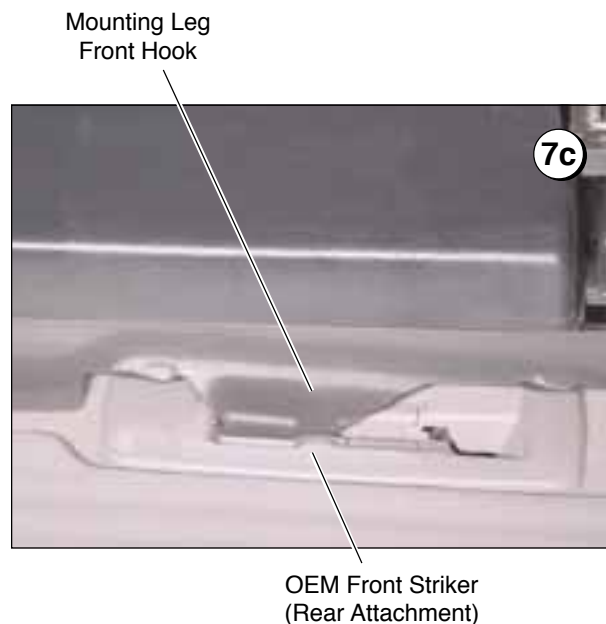
The Companion Seat base is secured in the vehicle by engaging the OEM floor-mounted strikers. Position the Companion Seat assembly into the vehicle over the strikers. Insert the front hooks of the Companion Seat assembly first and slide back to front until the rear hooks drop into place. See details and photos on the following page **before** positioning seat.



Mounting Leg Rear Clamp Position: Be sure the mounting leg rear clamp (hook) is open to accept the OEM strikers (see Photo 7b). Simply turn the bolt to open or close the mounting leg clamps. Typical for both legs.

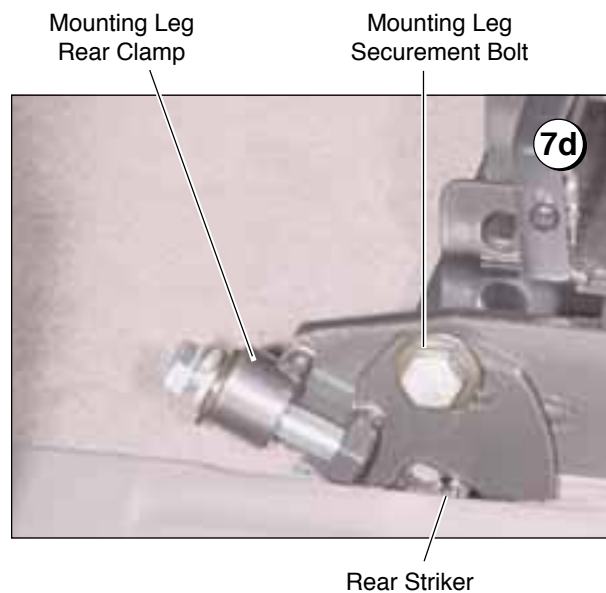


Mounting Leg Front Hook Position: Photo 7c shows the mounting leg front hook slid into place on the front OEM striker.



Note: Photos 7c and 7d are shown from the passenger side of the assembly for clarity.

Mounting Leg Rear Clamp Securement: Photo 7d shows the mounting leg rear clamp dropped into place. Use a 5/8" wrench or socket to secure the two rear clamps.



Tighten all mounting leg mounting hardware securely. **Torque Specifications:** 50-55 foot pounds.

8 Power Cable Installation

Prepare for Cable Routing: Prepare for routing the Companion Seat power cable (with extension harness) as detailed in Steps 6a-6e on pages 16 and 17 of manual 24154G.

Temporarily remove the slide door plastic threshold molding (secured with snap-in fasteners). See Photo 8a.

Extend Power Cable: The Companion Seat-equipped power cable is not long enough for installations in the second row. Cut and remove the terminal ends of the Companion Seat harness wires. Cut and remove the fuse assembly (with butt connector) from the white wire. Cut and remove the eye terminal from the black wire.

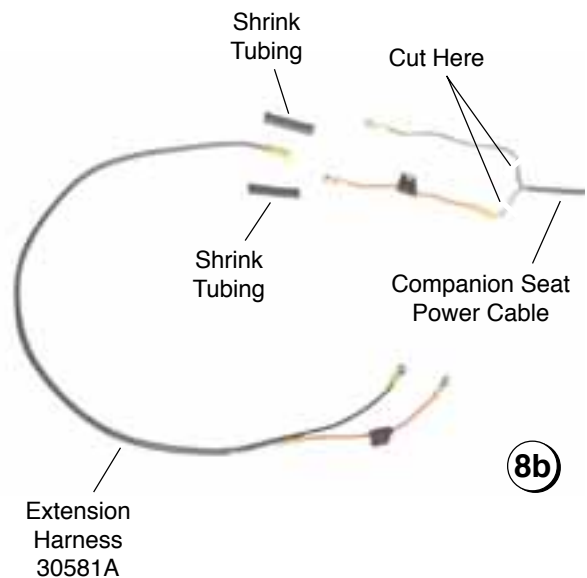
Note: Review the following section **before** connecting the extension cable to the Companion Seat harness. You may choose to route the extension harness from the engine compartment to the interior before connecting harnesses.

Strip 3/8" insulation from the end of each wire. Slide a 2-3/4" long piece of 3/8" shrink tubing onto each wire. Connect the extension harness wires to the Companion Seat harness wires using the butt connectors installed on the extension harness. Match wire colors. Insert the stripped wires fully into the butt connectors and crimp securely. Position the shrink tubing over the connections and apply heat to shrink the tubing.

Route and Connect Harness: Route and connect the harness (with extension harness) to battery and ground as outlined in Steps 6f-8f on pages 18-20 of manual 24154G. **Optional Routing:** Procedures are identical, but as previously noted, you may choose to route the extension harness from the engine compartment **before** connecting the extension cable to the Companion Seat harness. Routing the extension harness through the fire wall without the fuse assembly is easier (does not require as large an access hole).



Cargo Door Sill Plastic Molding



9 Test Seat Base Operation

Before mounting the Seat on the Companion Seat Base test its operation. The seat base should now be operational. Complete a few cycles to assure proper electrical connections have been made.

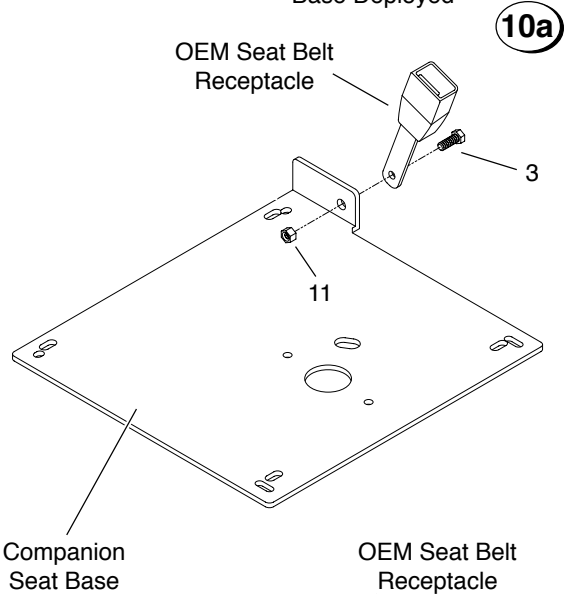
Deploy (extend) the seat base fully for easier installation of the seat on the Companion Seat base.



Companion Seat Base Deployed

10 Secure Seat Belt Receptacle to Companion Seat Assembly

The OEM seat belt receptacle is secured to the Companion Seat base. Use a 7/16" x 1" bolt (item 3) and the 7/16" two way lock nut (item 11) to secure the seat belt receptacle. See Figure 10a and Photo 10b for details.



Tighten seat belt receptacle mounting bolt securely. **Torque Specifications:** 50-55 foot pounds.



11 Secure OEM Seat to Companion Seat Base

Position the OEM seat on to the Companion Seat base. Using the OEM seat mounting bolts (retained from removing the OEM slide assembly) and the provided hardware secure the seat to the Companion Seat base. Refer to the "Overall Installation View - 2nd Row Position" Graphic on Page 11 and Photo 11 of this supplement for detailed securement instructions.

Tighten the seat mounting hardware securely. **Torque Specifications:** 24 foot pounds.

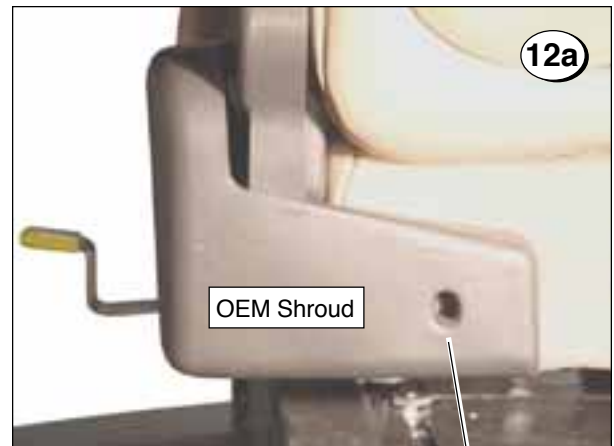


OEM Seat on
Companion Seat Base

12 Reinstall Driver Side Shroud

Reposition and secure the driver side shroud using the OEM mounting screws (1/4" hex socket). See Photos 12a and 12b.

Note: Adjust angle of seat belt receptacle as needed to align with shroud access slot.

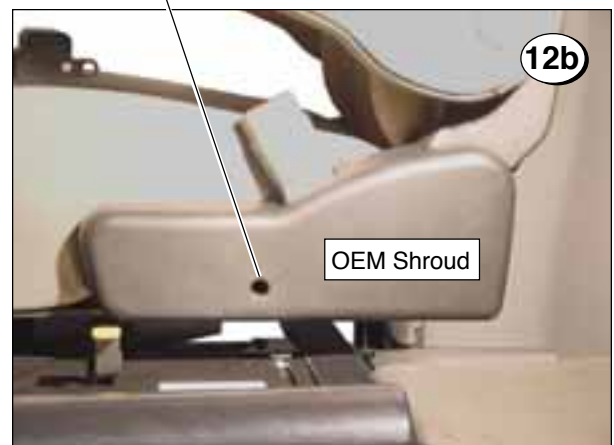


OEM Shroud
Mounting Screw

OEM Shroud
Mounting Screw

13 Replace OEM Drivers Side Second Row Seat

The OEM drivers side second row seat can now be repositioned and utilized in the vehicle. See the OEM owner's manual for detailed seat securement instructions.



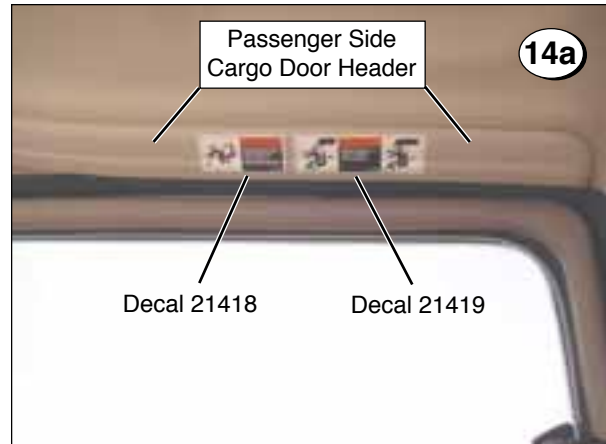
GM Companion Seat Second Row Installation Supplement 30655

14 Post Decals

⚠ WARNING

Affix decals as specified. Failure to do so may result in serious bodily injury and/or property damage.

Post (affix) the safety instructions decals supplied with the Companion Seat at the locations specified here.



The decals **must** be visible to the Companion Seat occupant. **Important!** Prepare the decal posting surfaces as detailed.

Decal Application Procedure (Surface Preparation): Clean decal posting surfaces with isopropyl alcohol before decal application. Use a clean cloth or paper towels. **Do not** use oily shop rags. Wipe surface free of residue with dry portion of cleaning cloth.

15 Complete Installation

Secure the extension harness and reposition and secure the cargo door sill plastic molding. Reposition interior panels and covers as outlined in Step 7 on page 18 of manual 24154G.



Decal 30715

Second Row Companion Seat Installation Kit 30578A Parts List

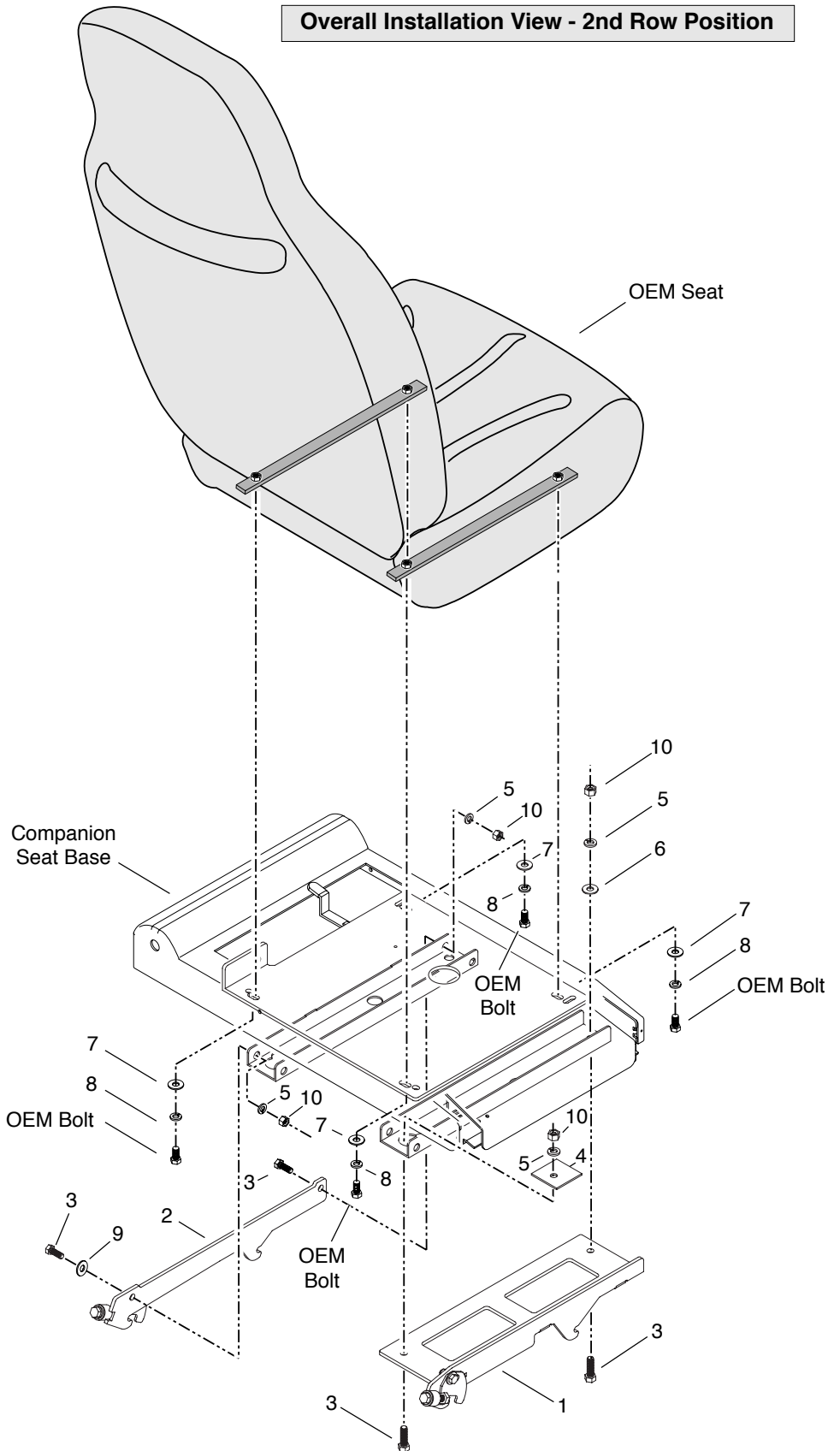
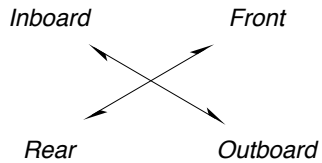
Item	Qty.	Description	Part No.
1	1	Leg Assembly, Passenger Side - Companion Seat - Venture	30482A
2	1	Leg Assembly, Driver Side - Companion Seat - Venture	30483A
3	5	Bolt, 7/16-20 x 1" Hex - Auto Black	15746
4	1	Washer, 2.306" Square x 0.453" ID x 0.120"	30447
5	4	Washer, 7/16" Lock	13843
6	1	Washer, 7/16" Flat	14933
7	4	Washer, 5/16" Flat - Auto Black	10063
8	4	Washer, 5/16" Lock - Auto Black	10068
9	1	Washer, 3/8" Flat - Auto Black	10064
10	4	Nut, 7/16-20 Hex	10457
11	1	Nut, 7/16-20 Hex - 2 Way Lock	19422
*12	2	Shrink Tubing - 3/8" x 2-3/4" Long	14373R
*13	1	Harness, Extension - Companion Power w/ 20A Fuse	30581A
*14	1	Supplement, Companion Seat - GM - 2nd Row Seat	30655
*15	1	Decal, Operator Inst - Warning - Vertical - 2nd Row	30715

*Not shown

⚠ WARNING

Read and become familiar with all safety precautions, seat pre-operation notes, seat operating instructions, and installation instructions prior to beginning installation procedures. Failure to do so may result in serious bodily injury and/or property damage.

Overall Installation View - 2nd Row Position

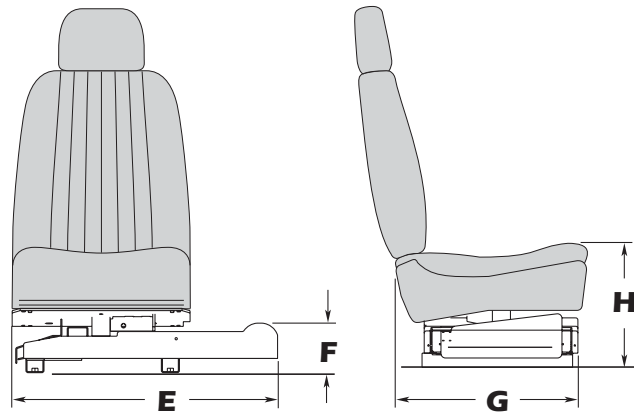
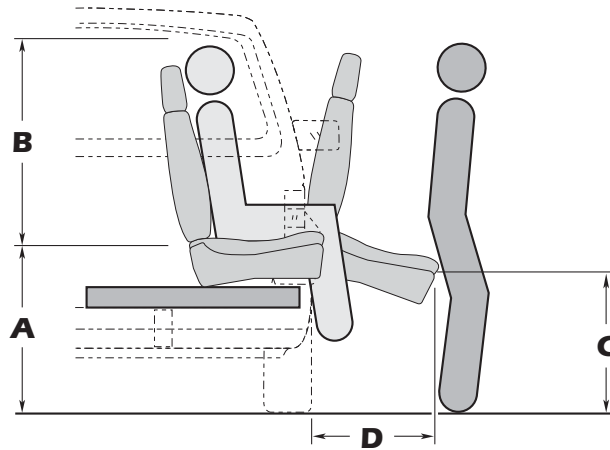


Note: Apply **Loctite®** or other thread-locking compound to previously-used OEM mounting hardware. Tighten mounting hardware to Torque Specifications specified in instructions.

Dimensions and Specifications - Second Row Position

Dimensions		
Seating Surface to Ground (Retracted Position)	A	32"
Head Clearance (Seating Surface to Door Header)	B	31"
Seating Surface to Ground (Extended Position)	C	25"
Side of Van to Front Edge of Seat	D	12 1/2"
Overall Width (Side to Side)	E	31"
Overall Height of Seat Base	F	5 1/4"
Overall Depth (Front to Rear)	G	24"
Seating Surface to Vehicle Floor	H	14 1/2"

* All dimensions are approximate



Specifications

Frame Construction ..Mist Grey Powder Coated Steel	ControlsToggle Switch Hand Pendant
Seat Capacity 300 lbs.	In-Line Fuse 20 amp.
Shipping Weight 130 lbs.	Cycle Time (each way) 18 seconds (approximate)
Power Supply 12 Volt DC	Swivel 90° (Manual Operation)
* Motor12 Volt DC Reversible Automotive Type	Auxiliary Operating SystemManual Type

* with thermal overload protection